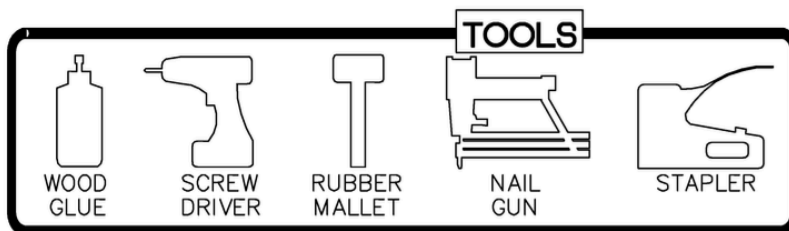
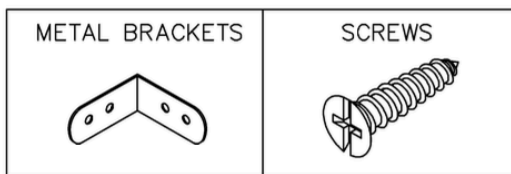
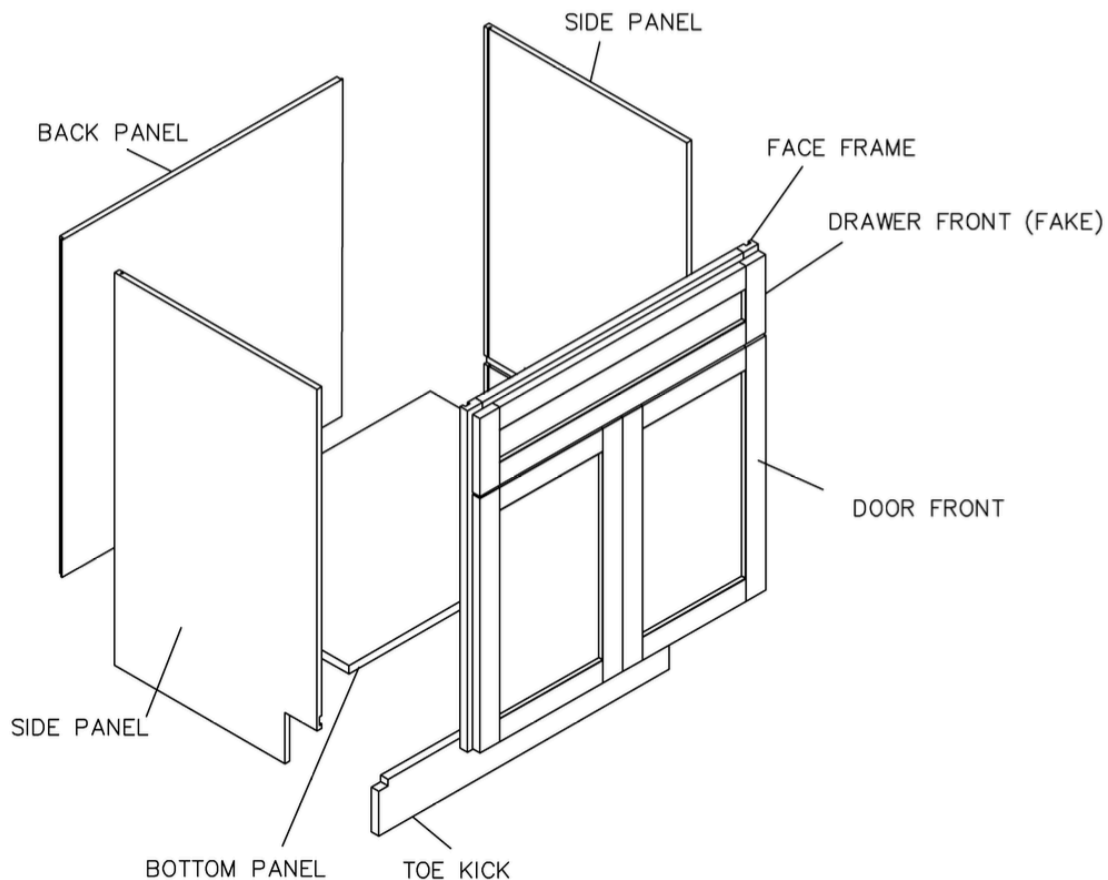


Assembly Book.



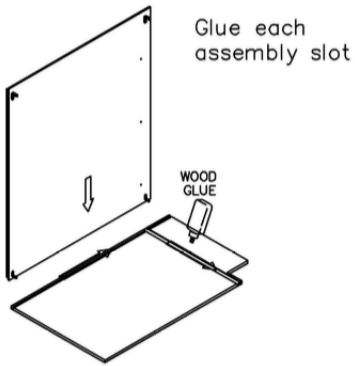
Assembly Instructions / Sink Base Cabinet



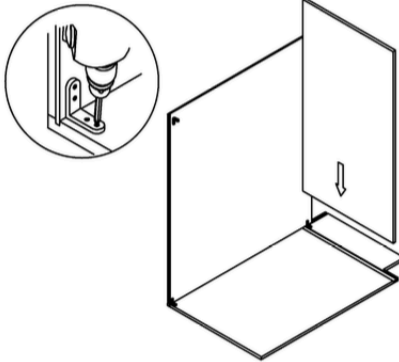
This instruction applies to the following items:
SB30 (Single false drawer)
SB36 (Double false drawers)

Assembly Instructions / Sink Base Cabinet

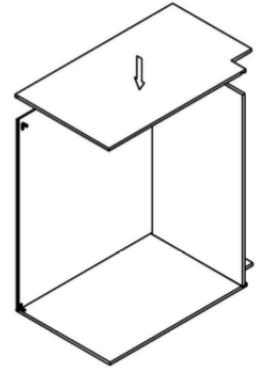
STEP 1



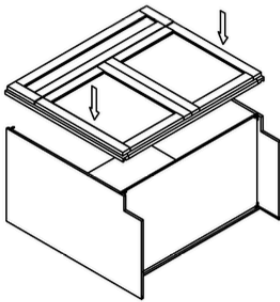
STEP 2



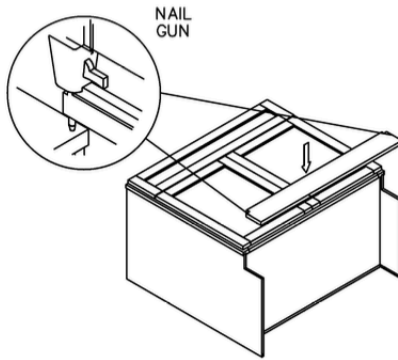
STEP 3



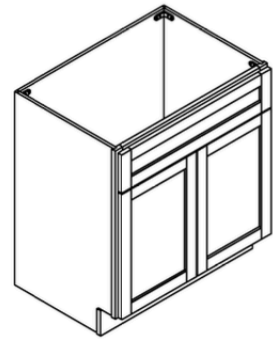
STEP 4



STEP 5

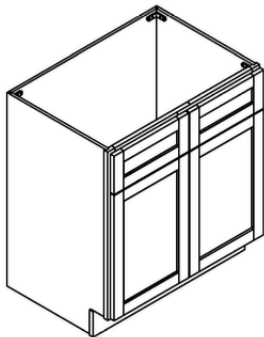


STEP 6



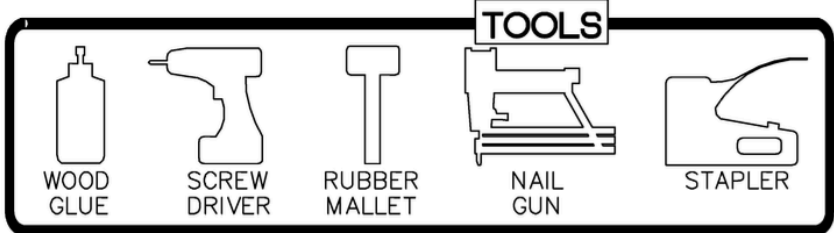
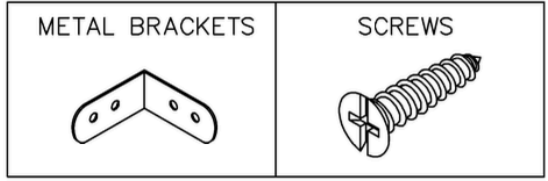
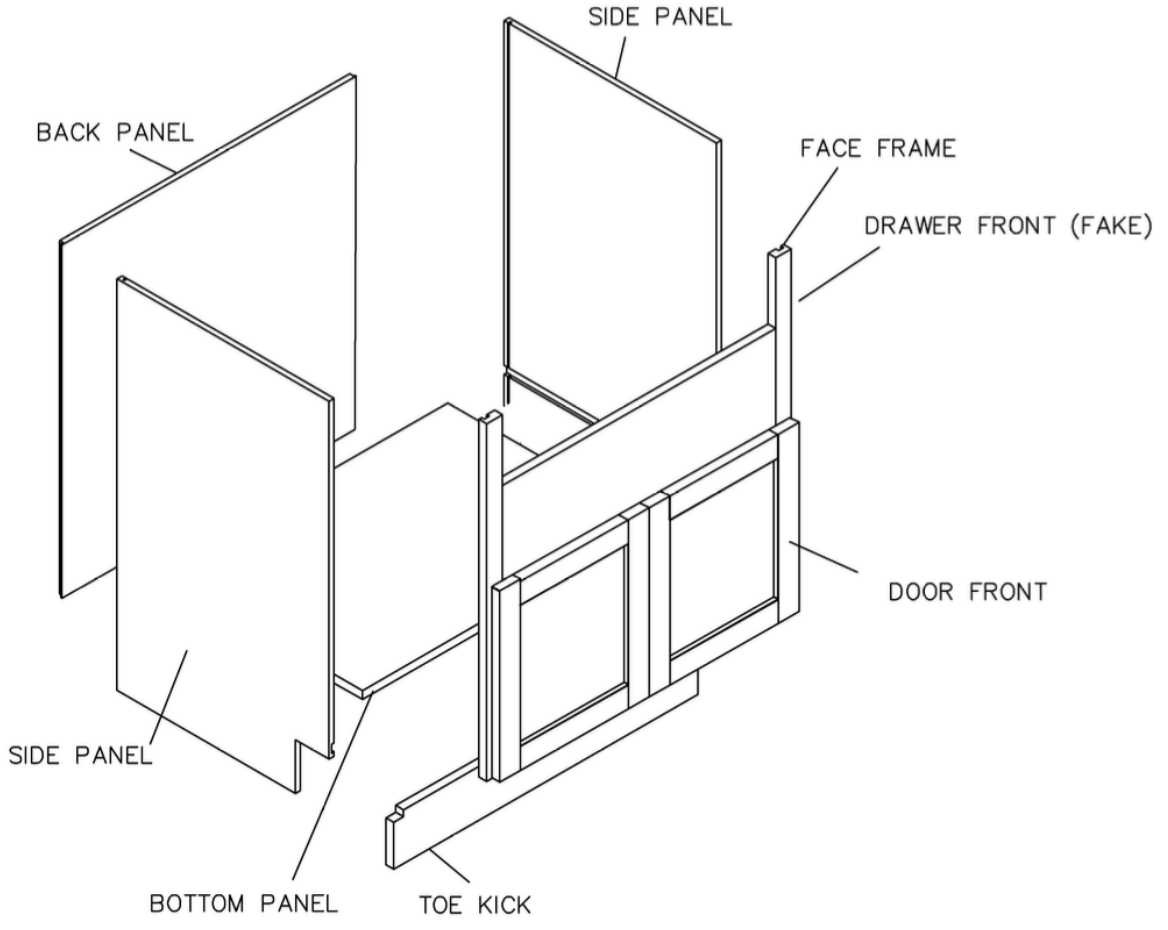
(Single false drawer)

STEP 7



(Double false drawers)

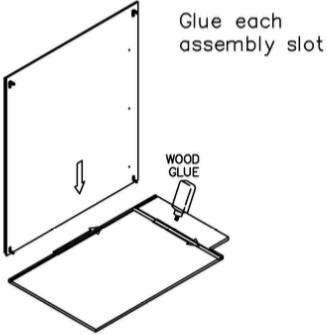
Assembly Instructions / Farm Sink Base Cabinet



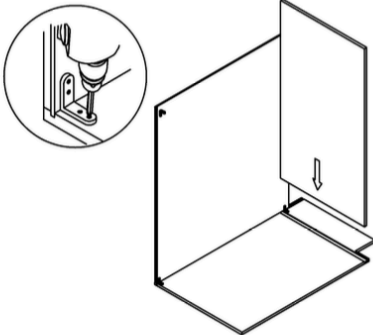
This instruction applies to the following items:
FSB36

Assembly Instructions / Farm Sink Base Cabinet

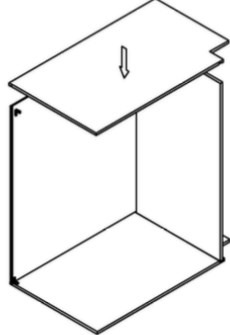
STEP 1



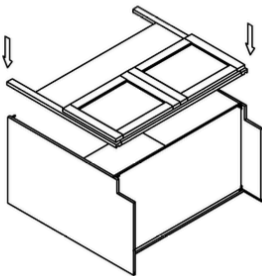
STEP 2



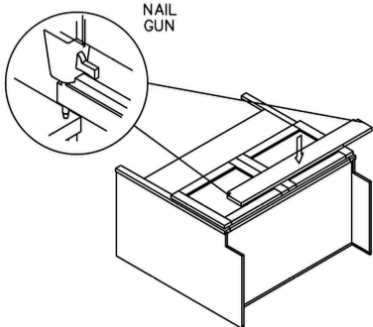
STEP 3



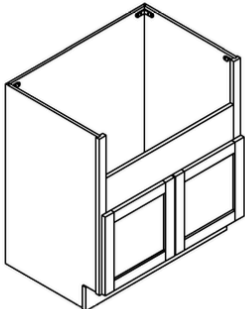
STEP 4



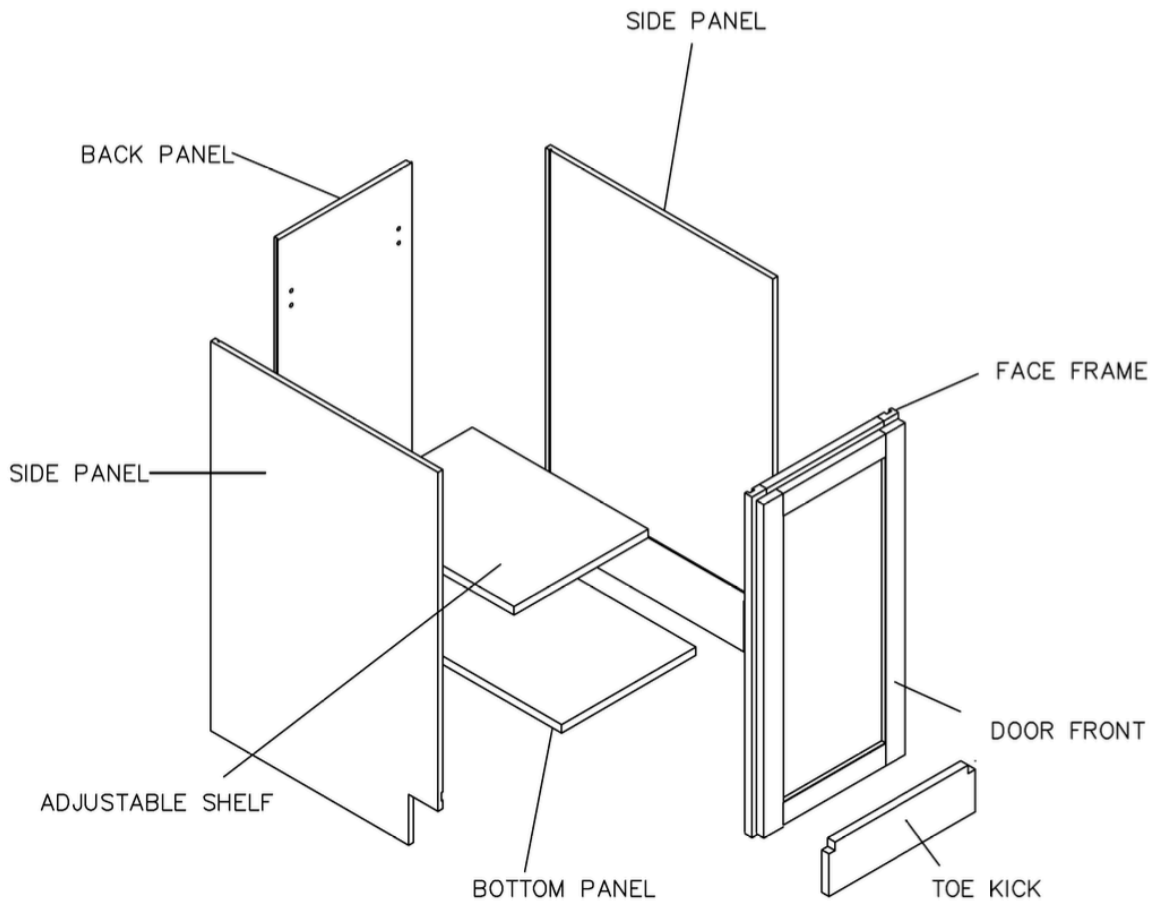
STEP 5

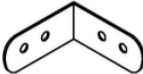
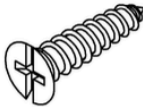

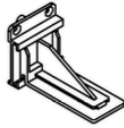


STEP 6





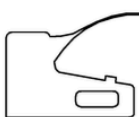


Assembly Instructions / Full Door Base Cabinet



<p>METAL BRACKETS</p> 	<p>SCREWS</p> 	<p>SHELF CLIPS</p> 	<p>GLIDE SUPPORTS</p> 
---	---	---	---

TOOLS

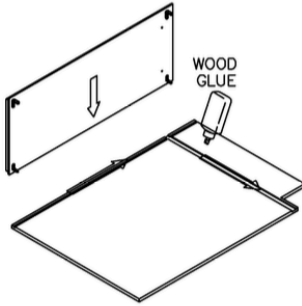
 WOOD GLUE	 SCREW DRIVER	 RUBBER Mallet	 NAIL GUN	 STAPLER
--	---	--	---	---

This instruction applies to the following items:
 FDB18-FDB36

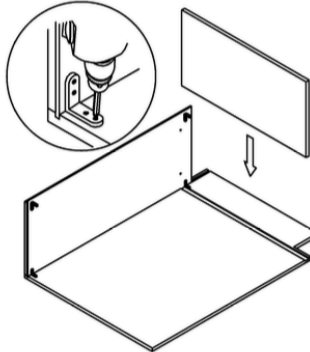
Assembly Instructions / Full Door Base Cabinet

STEP 1

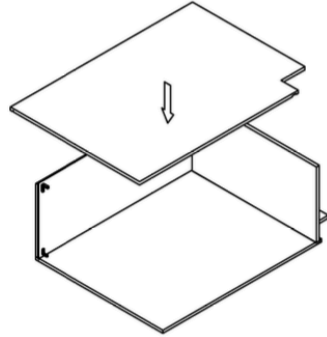
Glue each assembly slot



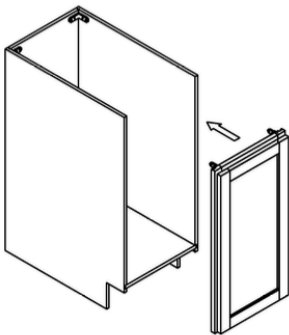
STEP 2



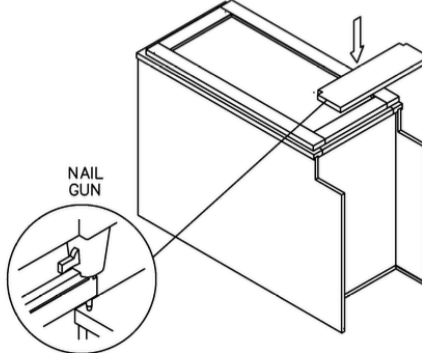
STEP 3



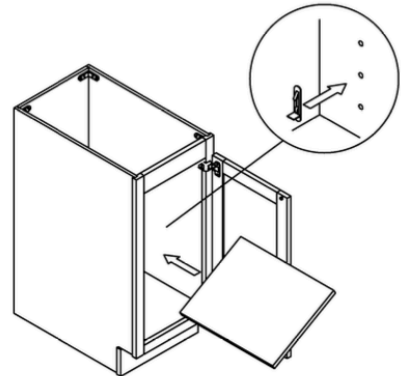
STEP 4



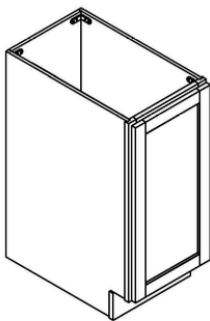
STEP 5



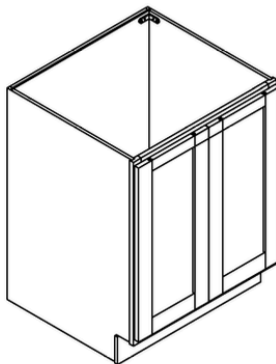
STEP 6



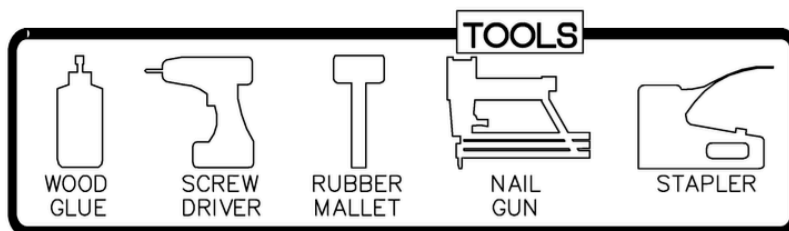
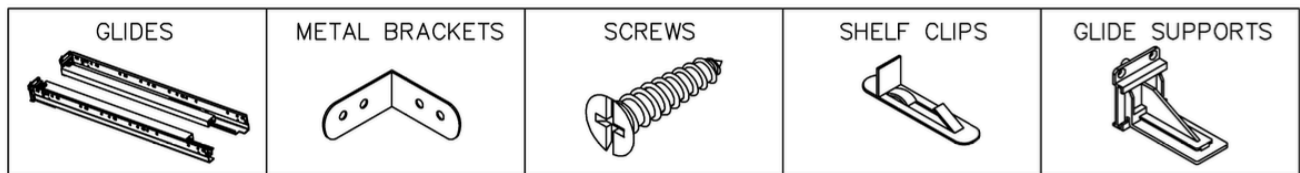
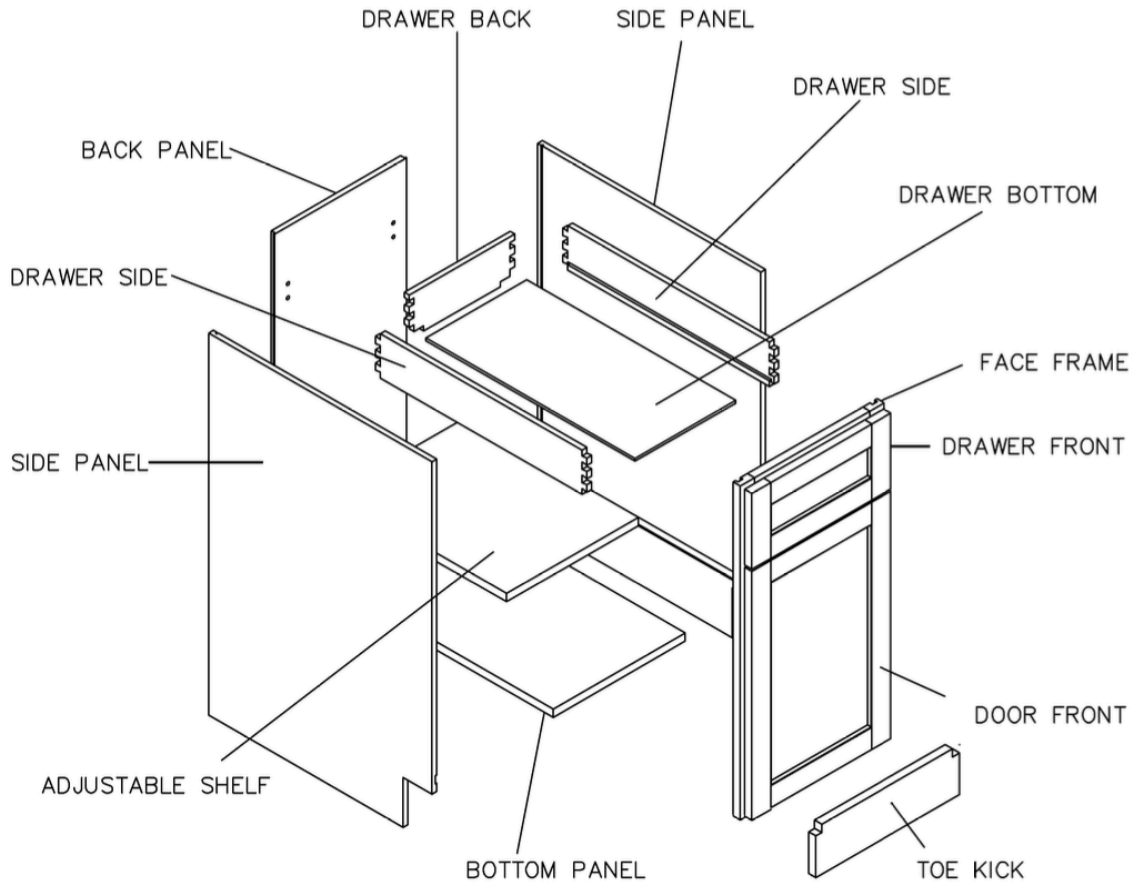
STEP 7



STEP 8



Assembly Instructions / Base Cabinet

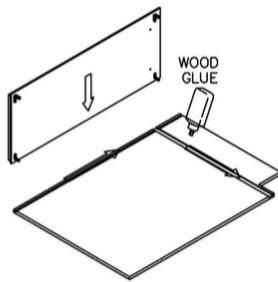


This instruction applies to the following items:
 B09, B12, B15, B18, B21, B24,
 B27, B30, B33, B36, B39, B42

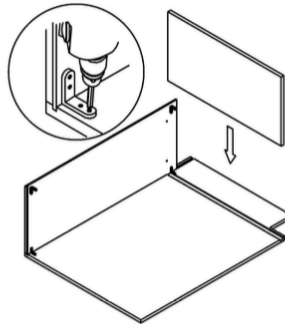
Assembly Instructions / Base Cabinet

STEP 1

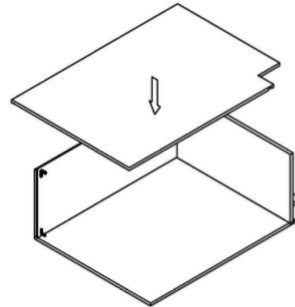
Glue each assembly slot



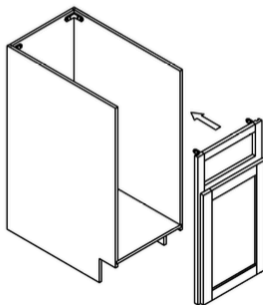
STEP 2



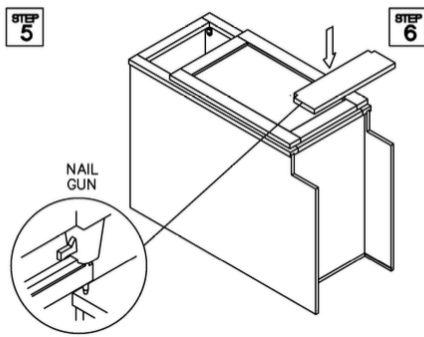
STEP 3



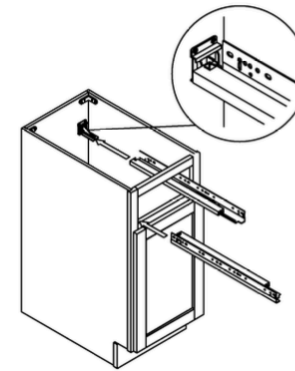
STEP 4



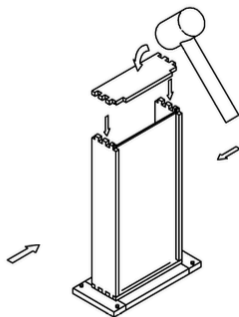
STEP 5



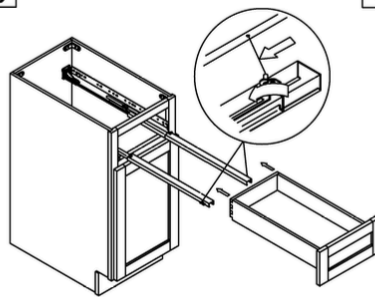
STEP 6



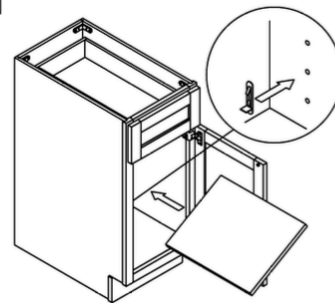
STEP 7



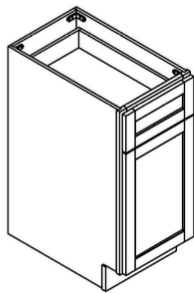
STEP 8



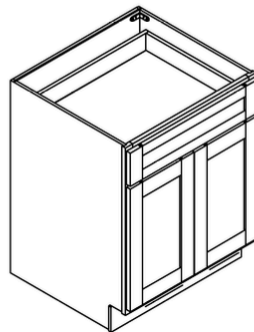
STEP 9



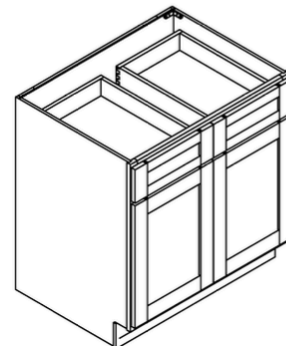
STEP 10



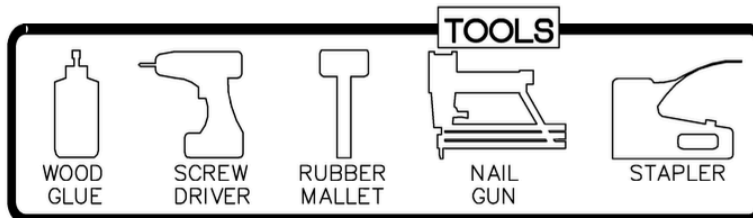
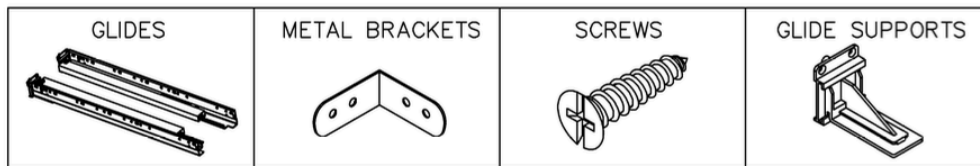
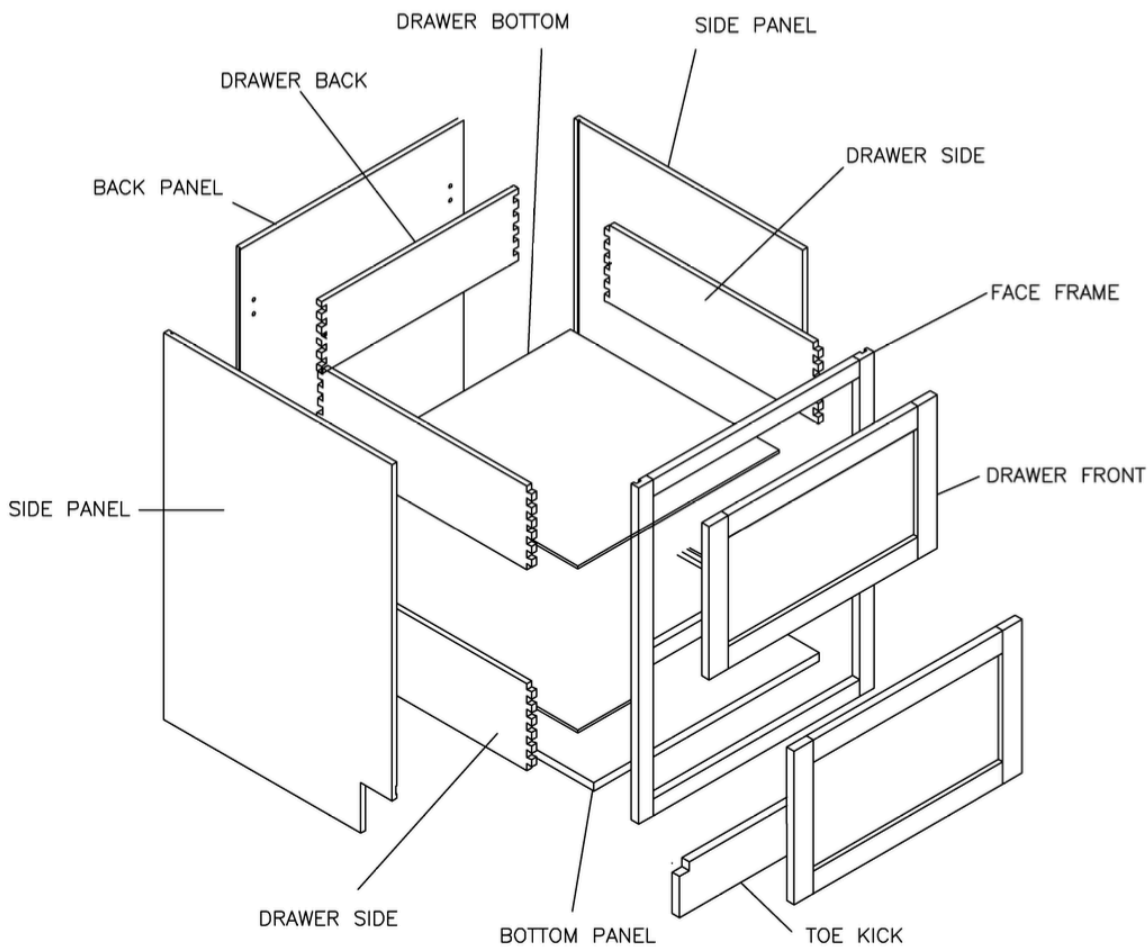
STEP 11



STEP 12



Assembly Instructions / Drawer Base Cabinet (2 Drawers)

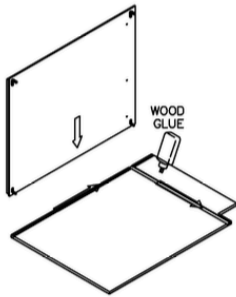


This instruction applies to the following items:
2DB30, 2DB33, 2DB36

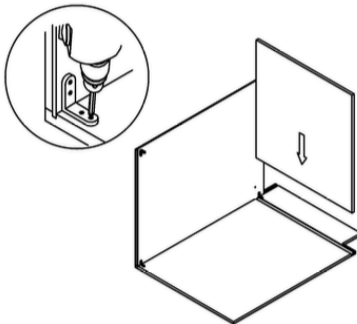
Assembly Instructions / Drawer Base Cabinet (2 Drawers)

STEP 1

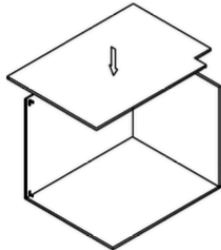
Glue each assembly slot



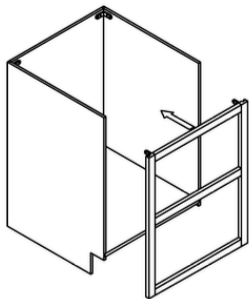
STEP 2



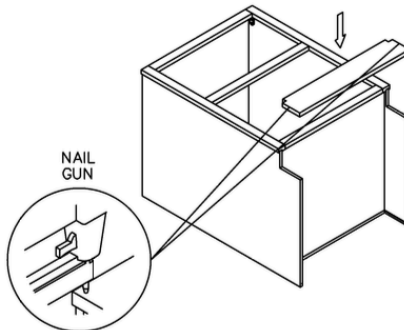
STEP 3



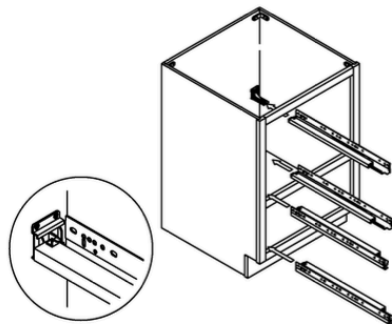
STEP 4



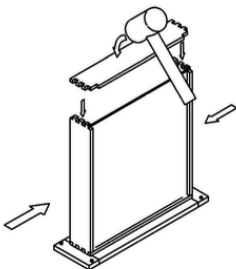
STEP 5



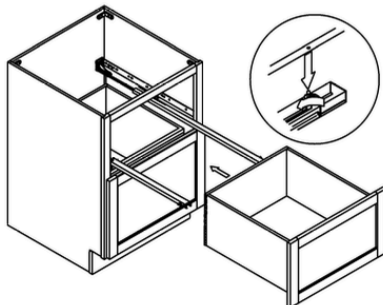
STEP 6



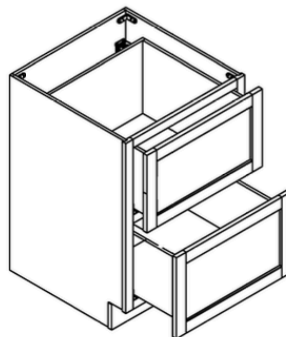
STEP 7



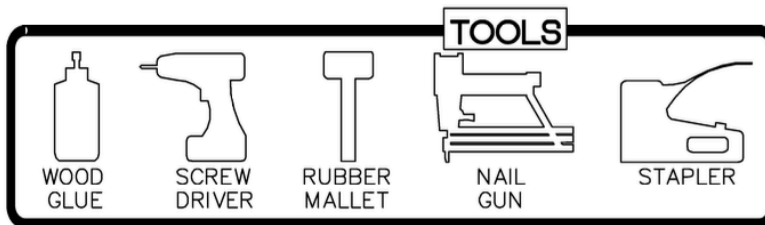
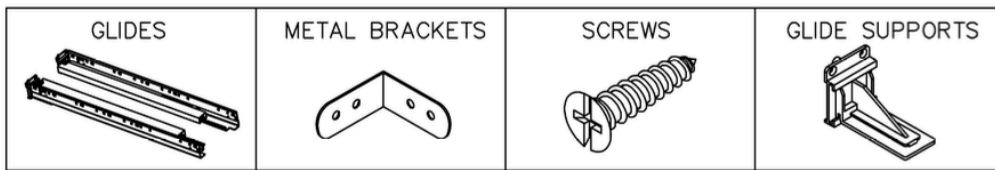
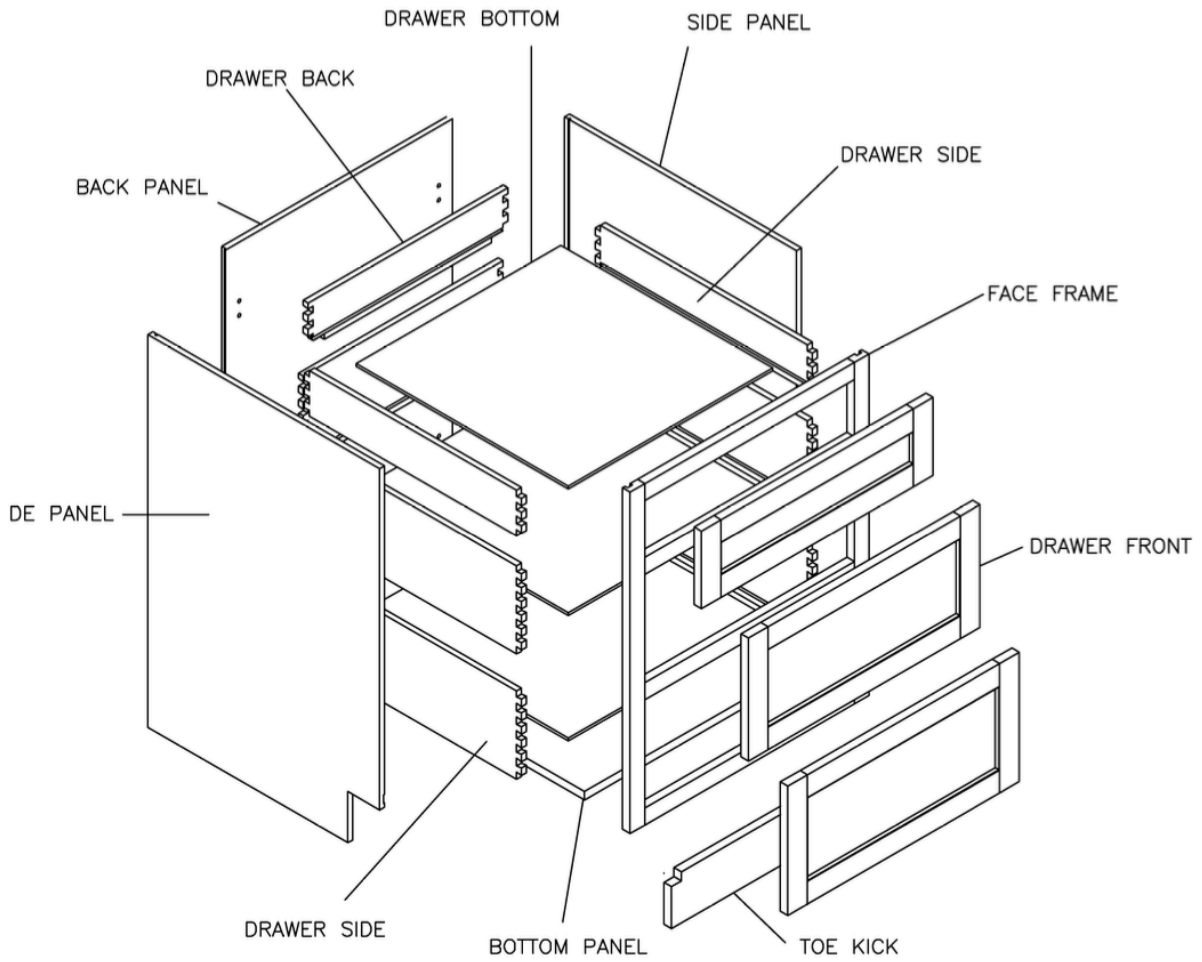
STEP 8



STEP 9



Assembly Instructions / Drawer Base Cabinet (3 Drawers)

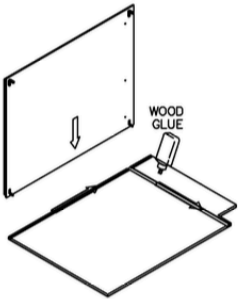


This instruction applies to the following items:
 DB12, DB15, DB18, DB21
 DB24, DB27, DB30, DB33, DB36

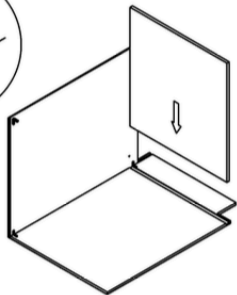
Assembly Instructions / Drawer Base Cabinet (3 Drawers)

STEP 1

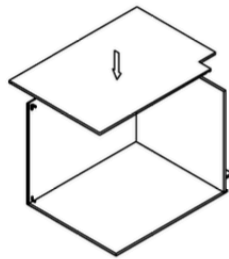
Glue each assembly slot



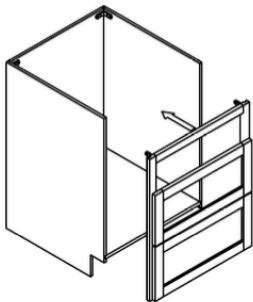
STEP 2



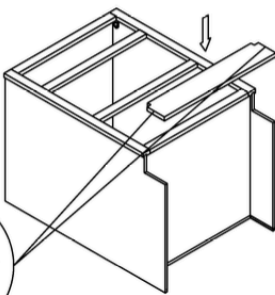
STEP 3



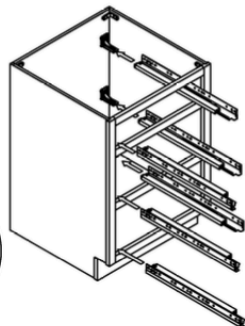
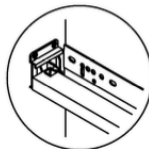
STEP 4



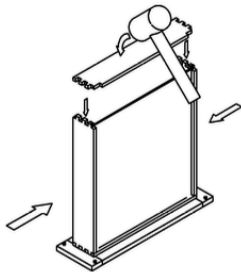
STEP 5



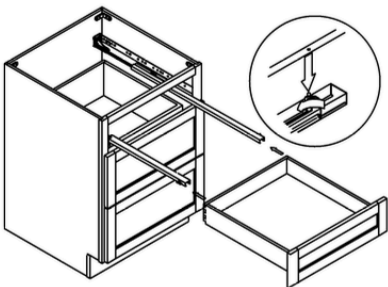
STEP 6



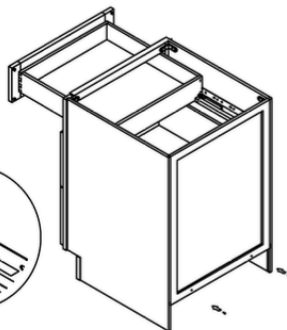
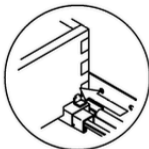
STEP 7



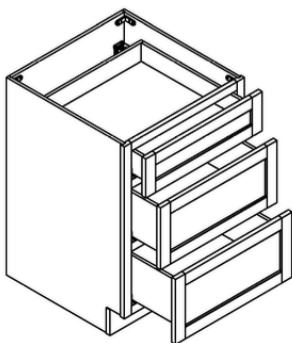
STEP 8



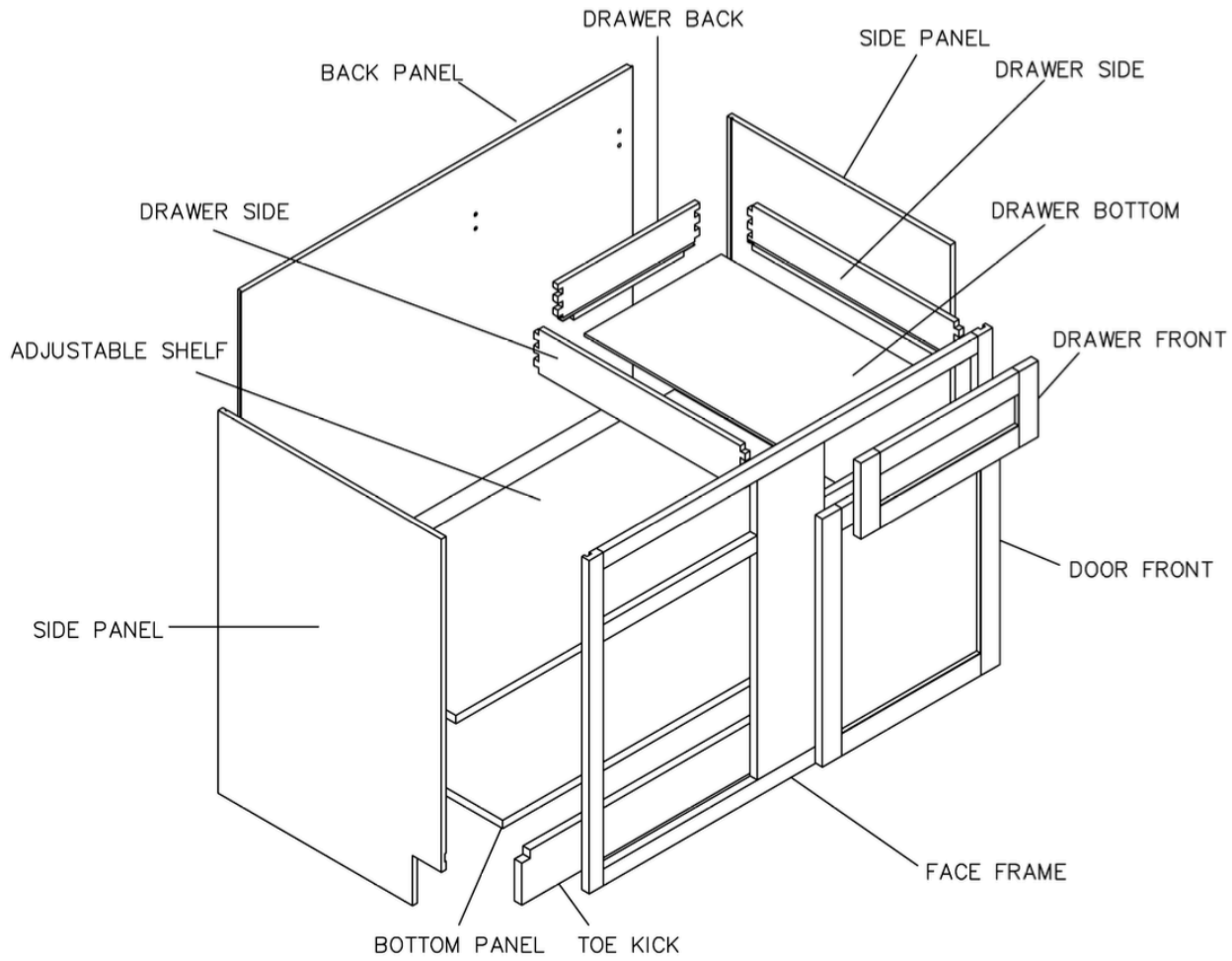
STEP 9



STEP 10



Assembly Instructions / Blind Base Corner Cabinet



<p>GLIDES</p>	<p>METAL BRACKETS</p>	<p>SCREWS</p>	<p>SHELF CLIPS</p>	<p>GLIDE SUPPORTS</p>
---------------	-----------------------	---------------	--------------------	-----------------------

TOOLS

WOOD GLUE

SCREW DRIVER

RUBBER Mallet

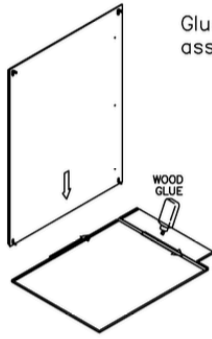
NAIL GUN

STAPLER

This instruction applies to the following items:
BBC33-9

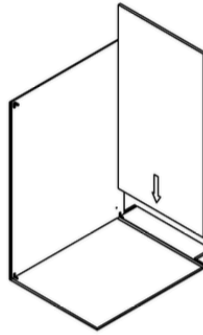
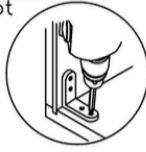
Assembly Instructions / Blind Base Corner Cabinet

STEP 1

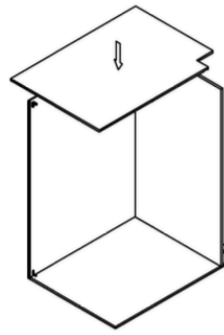


Glue each assembly slot

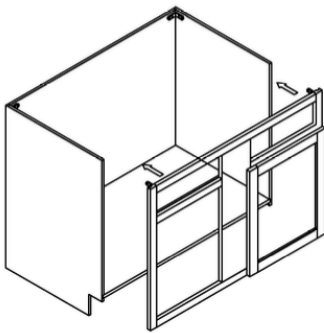
STEP 2



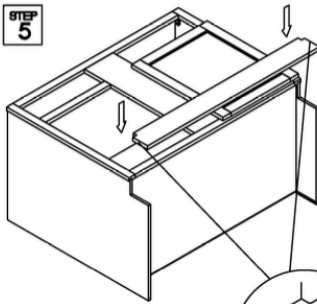
STEP 3



STEP 4



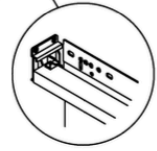
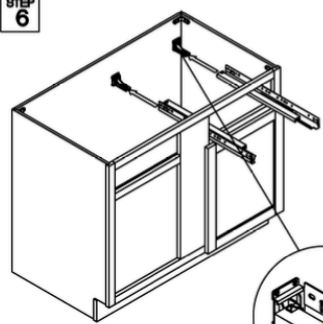
STEP 5



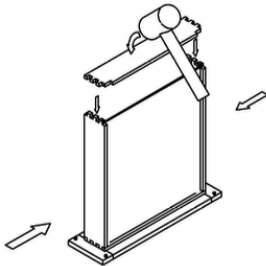
NAIL GUN



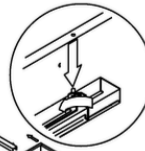
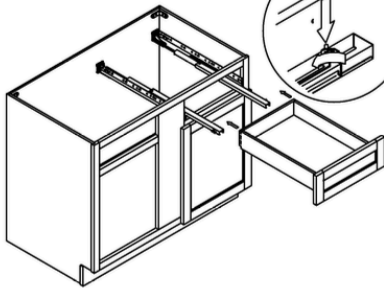
STEP 6



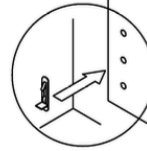
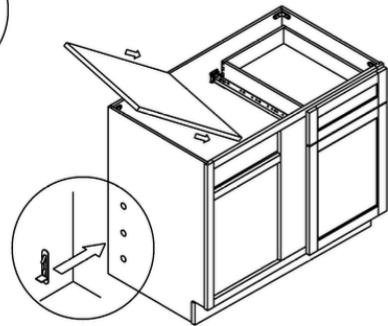
STEP 7



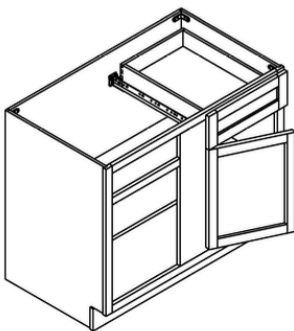
STEP 8



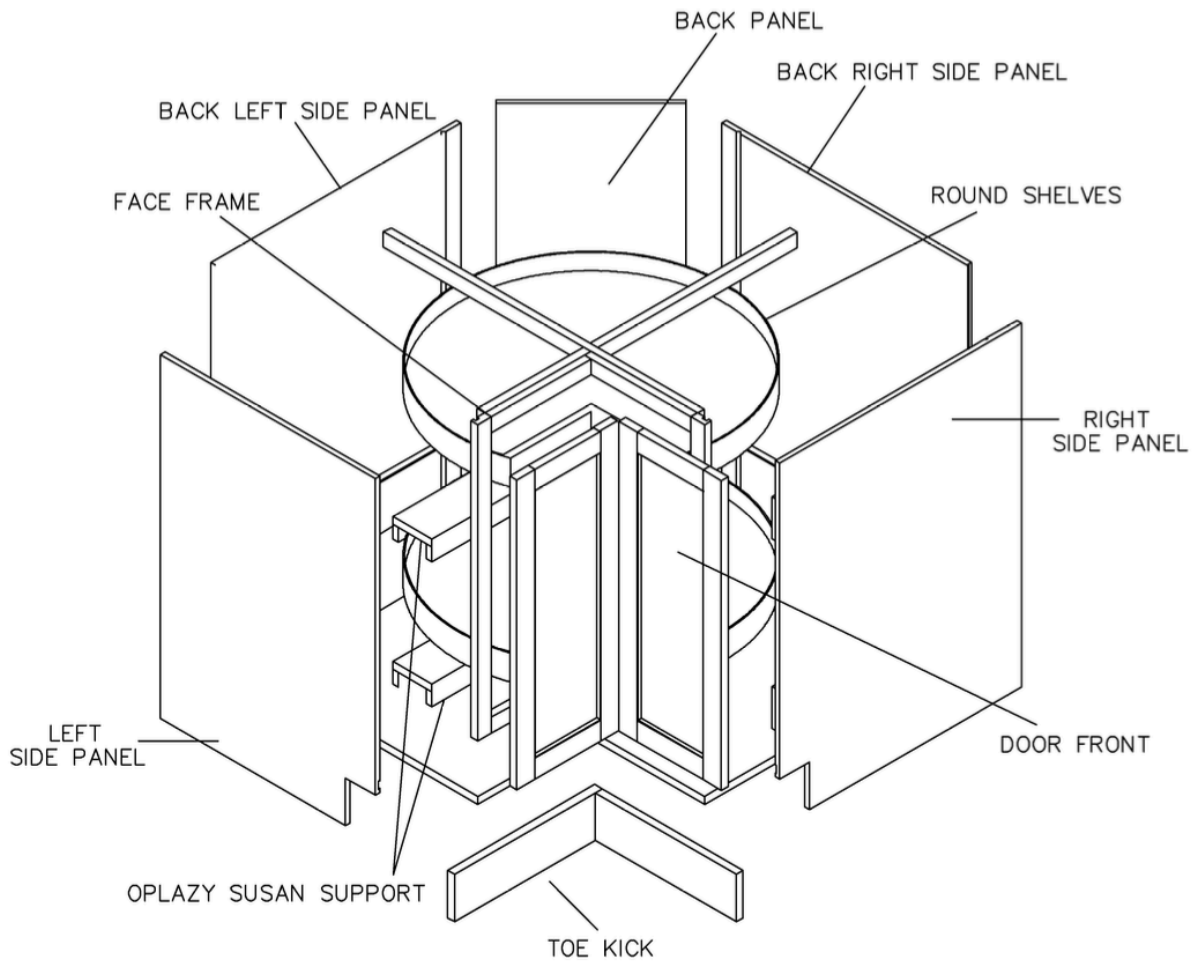
STEP 9

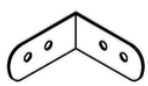
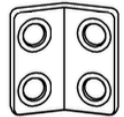





STEP 10





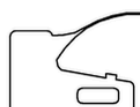


Assembly Instructions / Lazy Susan Corner Cabinet



<p>METAL BRACKETS</p> 	<p>METAL BRACKETS</p> 	<p>BIFOLD HINGE</p>  <p>ES/DS/SG</p>	<p>170 HINGE</p> 	<p>SCREWS</p> 
---	---	---	--	---

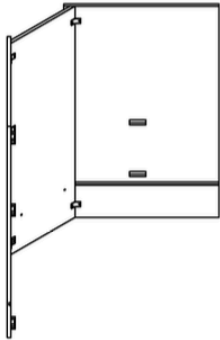
TOOLS

 <p>WOOD GLUE</p>	 <p>SCREW DRIVER</p>	 <p>RUBBER Mallet</p>	 <p>NAIL GUN</p>	 <p>STAPLER</p>
--	---	--	---	--

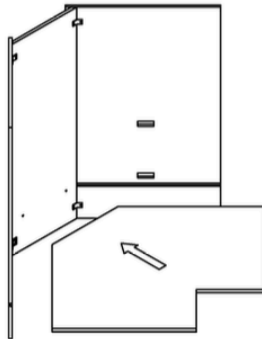
This instruction applies to the following items:
LZS33, LZS3612

Assembly Instructions / Lazy Susan Corner Cabinet

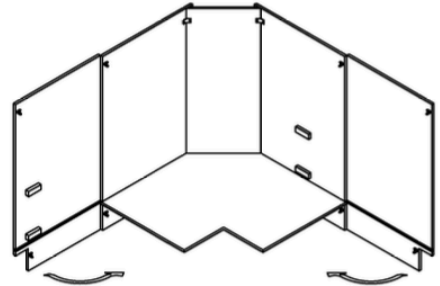
STEP 1



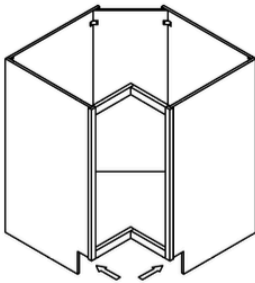
STEP 2



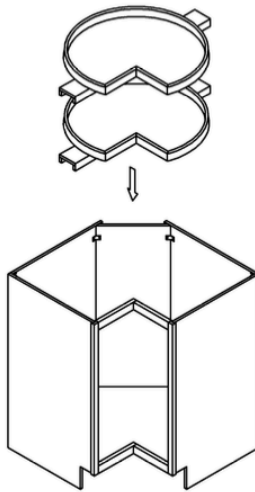
STEP 3



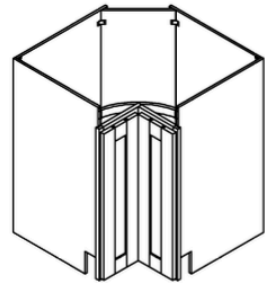
STEP 4



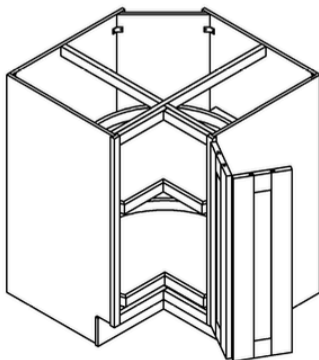
STEP 5



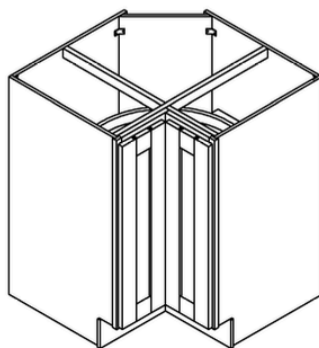
STEP 6



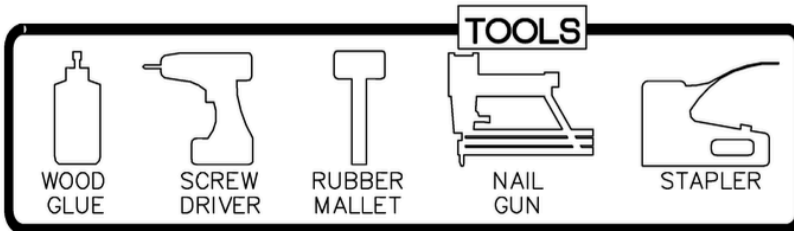
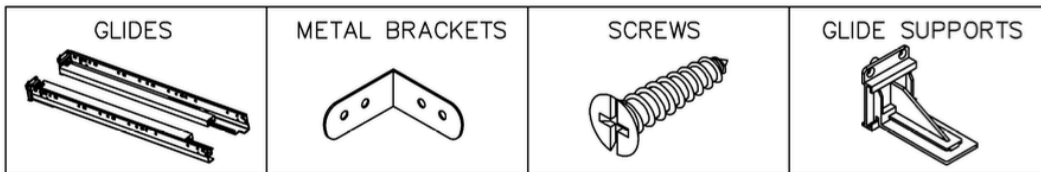
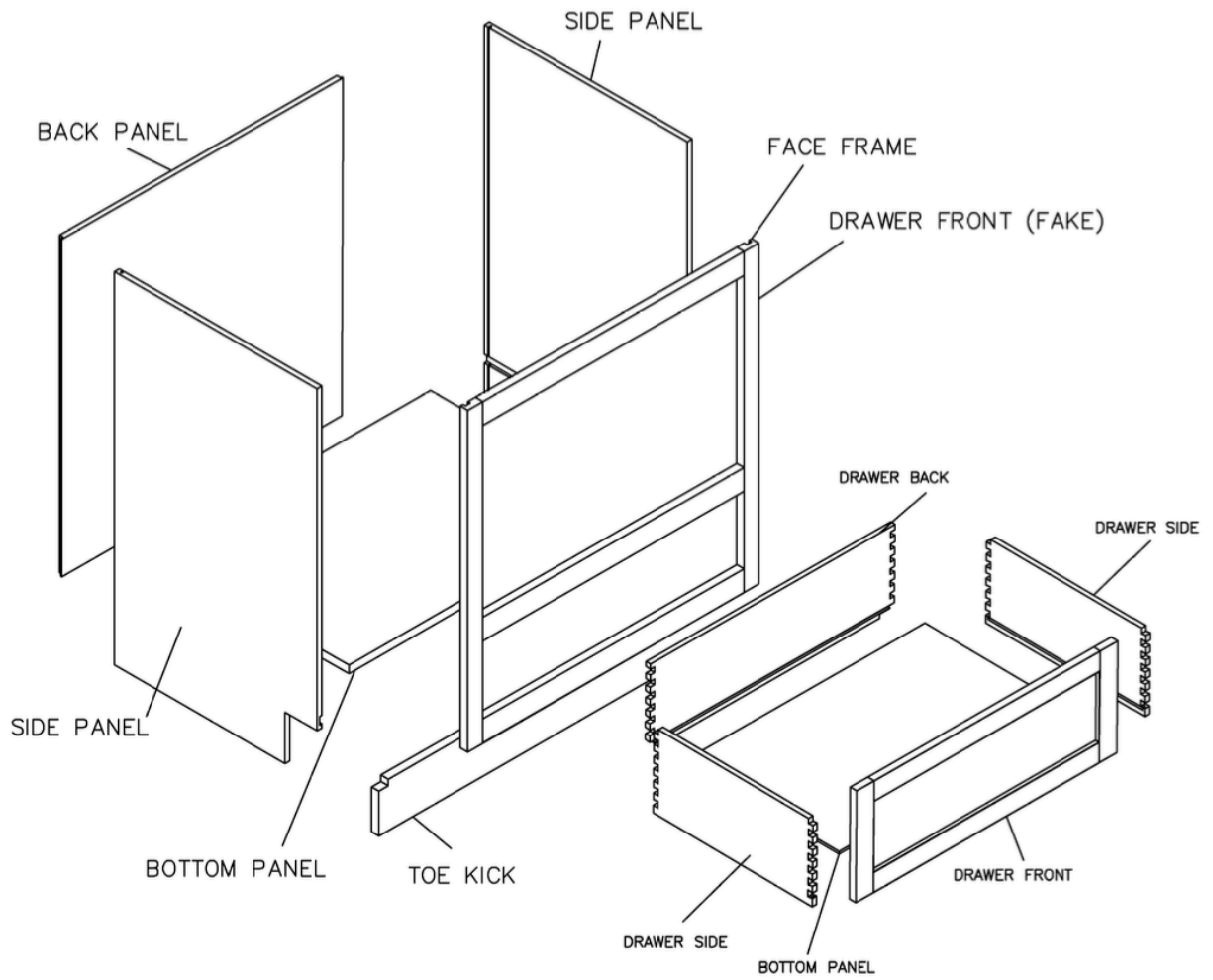
STEP 7



STEP 8



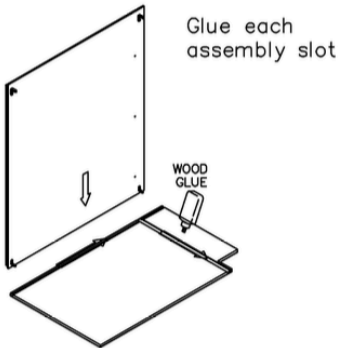
Assembly Instructions / Base Microwave Cabinet



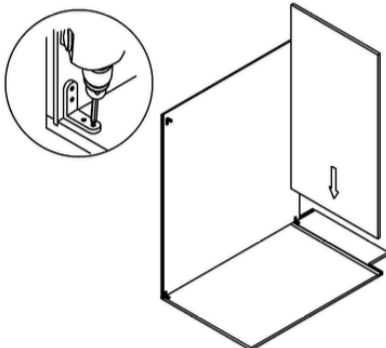
This instruction applies to the following items:
BMC30

Assembly Instructions / Base Microwave Cabinet

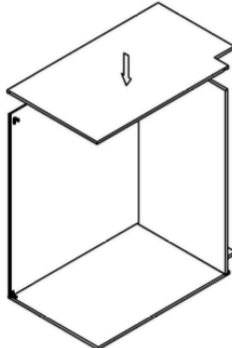
STEP 1



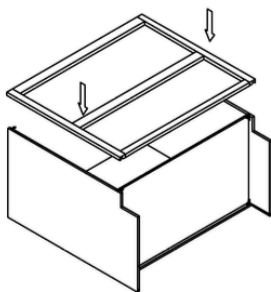
STEP 2



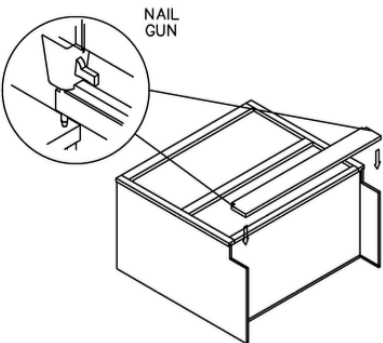
STEP 3



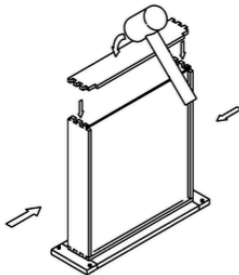
STEP 4



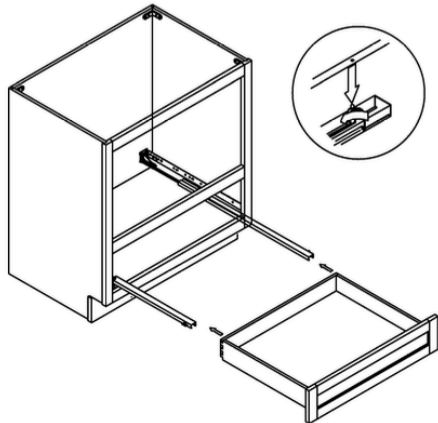
STEP 5



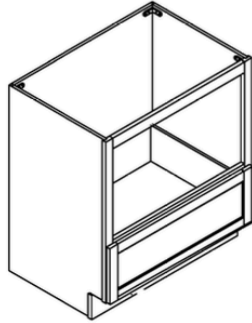
STEP 6



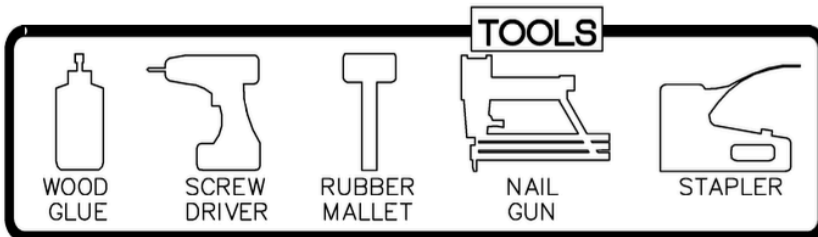
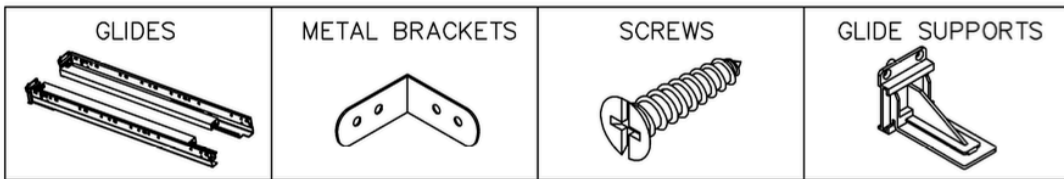
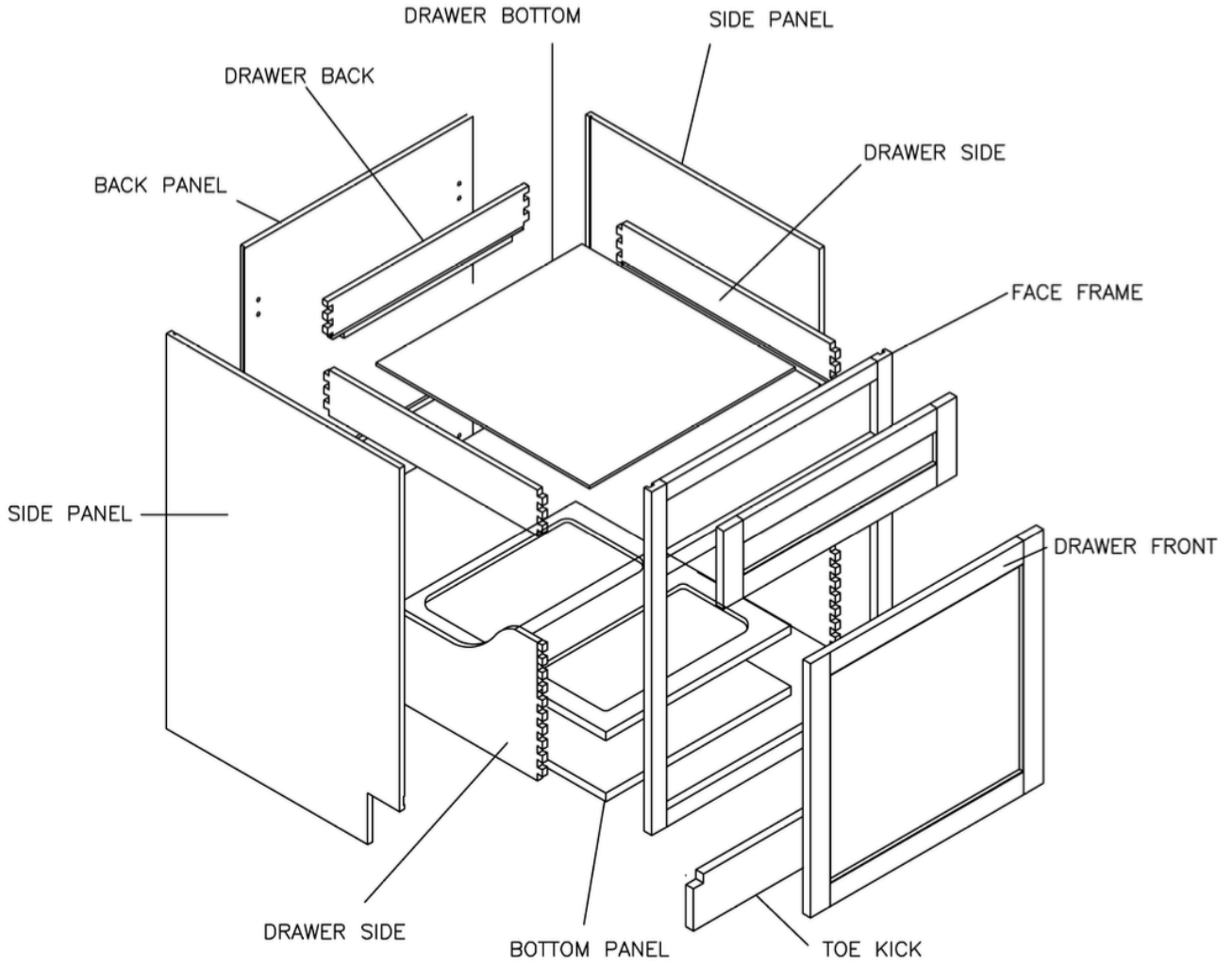
STEP 7



STEP 8



Assembly Instructions / Base Waste Basket Cabinet



This instruction applies to the following items:
BWBKT18

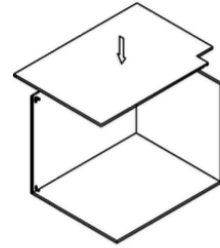
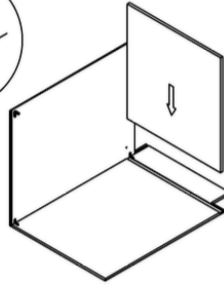
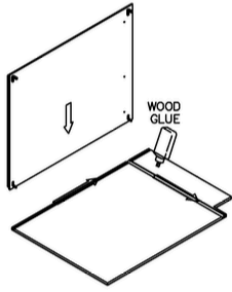
Assembly Instructions / Base Waste Basket Cabinet

STEP 1

Glue each assembly slot

STEP 2

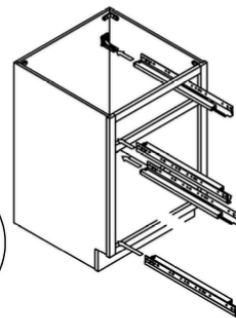
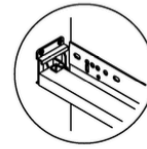
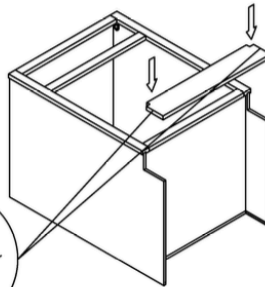
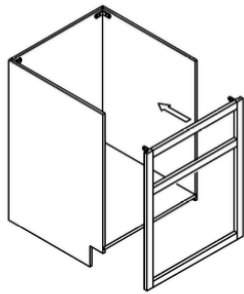
STEP 3



STEP 4

STEP 5

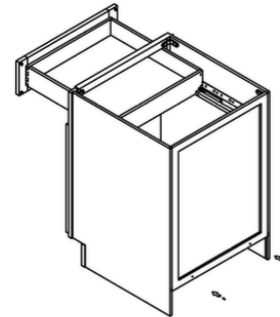
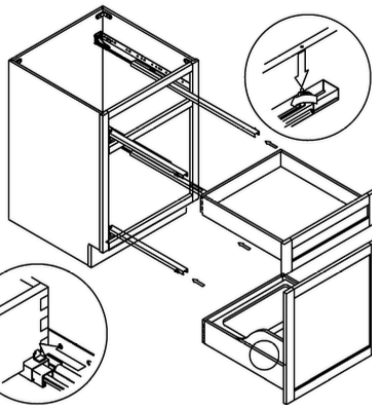
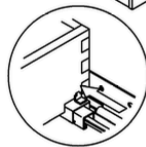
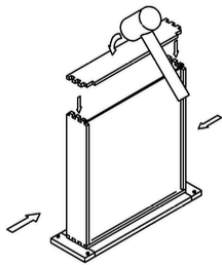
STEP 6



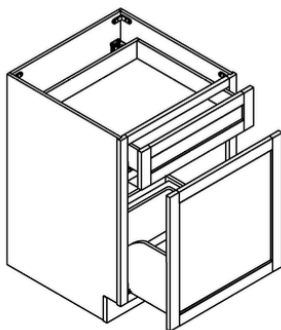
STEP 7

STEP 8

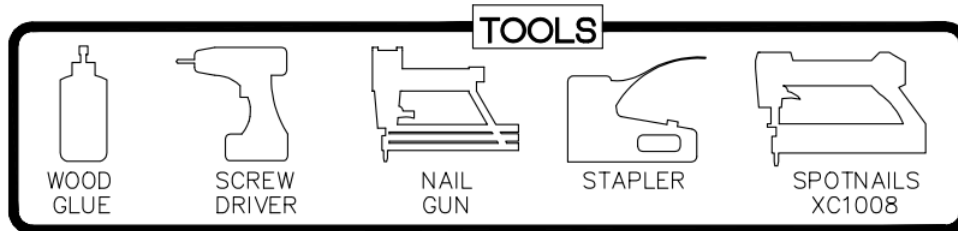
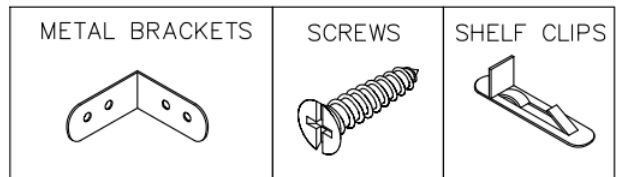
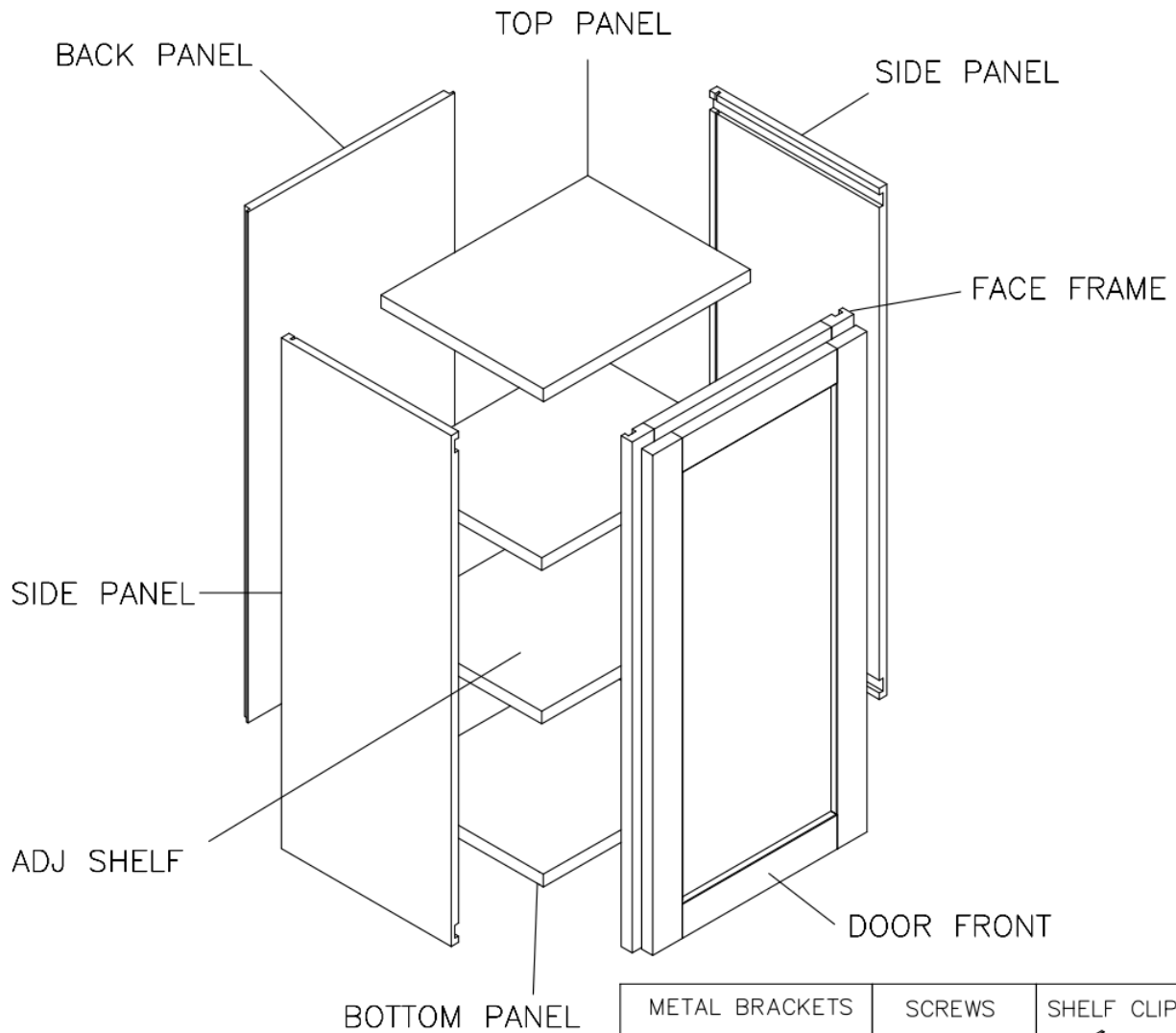
STEP 9



STEP 10



Assembly Instructions / Wall Cabinet (with shelves)

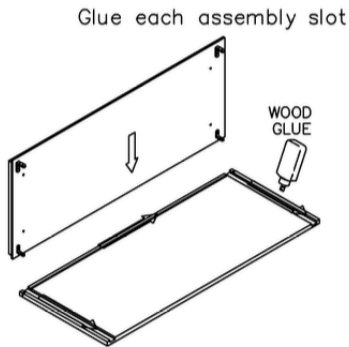


This instruction applies to the following items:

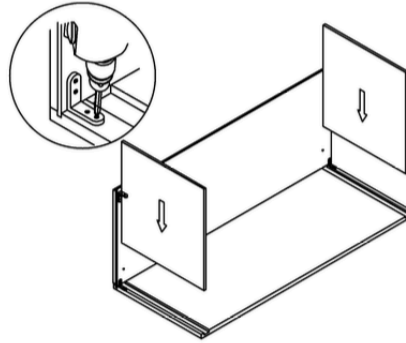
W1224-W2724	W0930-W2130	W2430-W3630
W3024-W3624	W0936-W2136	W2436-W3636
W302427-W362427	W0942-W2142	W2442-W3642

Assembly Instructions / Wall Cabinet (with shelves)

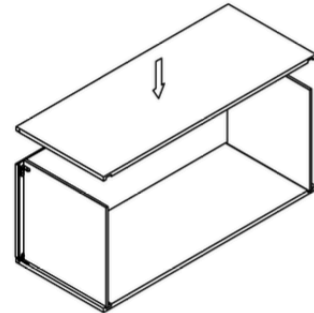
STEP 1



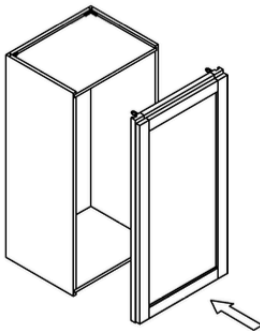
STEP 2



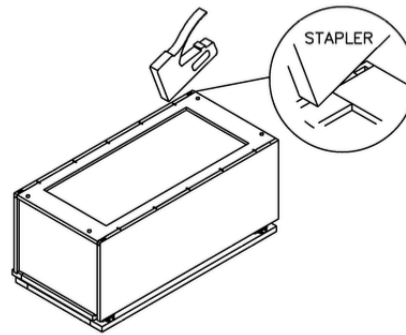
STEP 3



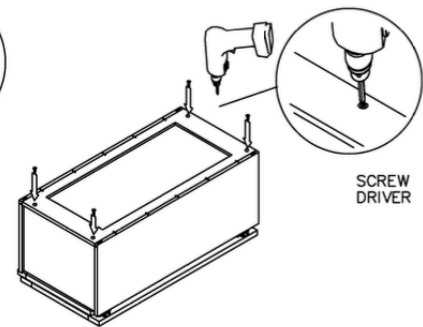
STEP 4



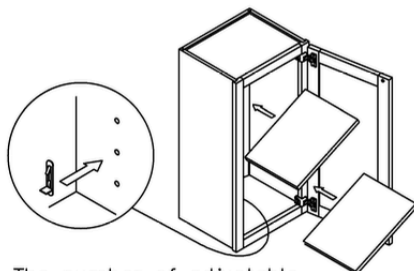
STEP 5



STEP 6

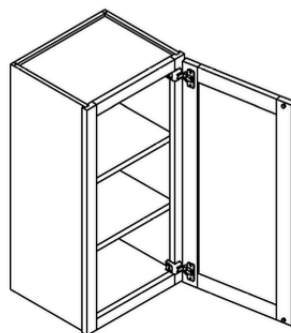


STEP 7



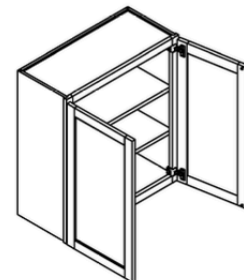
The number of adjustable shelf depends on the actual cabinet type

STEP 8

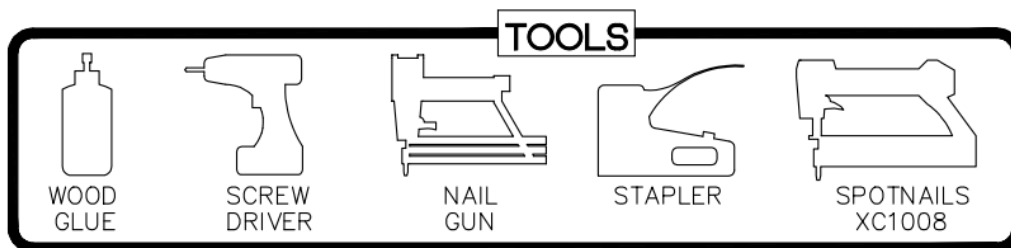
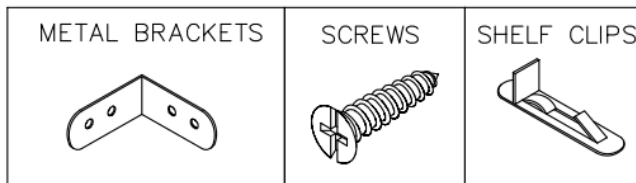
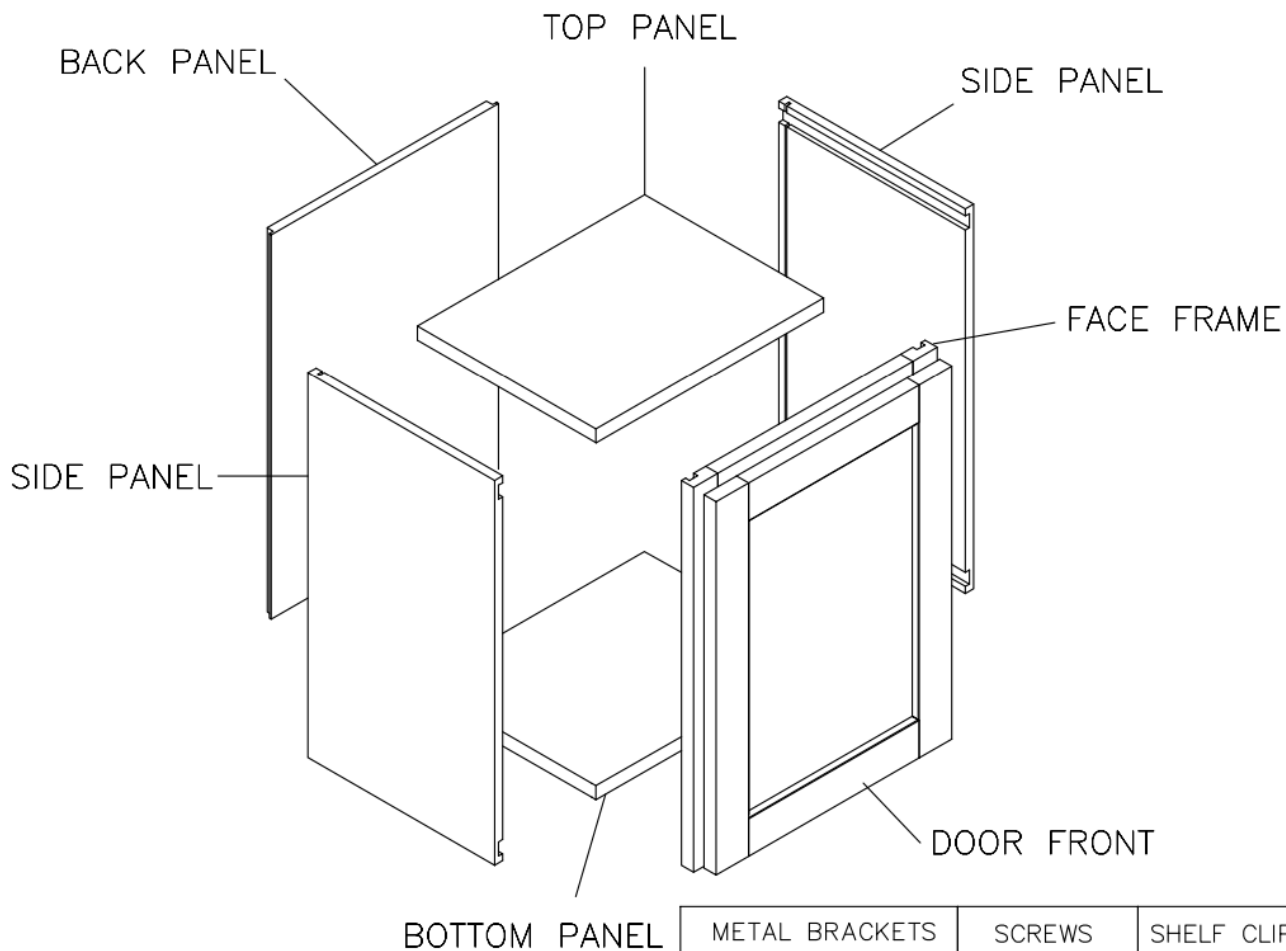


STEP 9

Double door installation method is the same as above



Assembly Instructions / Wall Cabinet (without shelves)



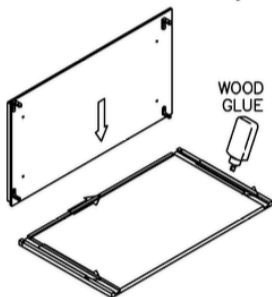
This instruction applies to the following items:

- | | | | |
|-------------|-----------------|-----------------|-----------------|
| W2412-W2418 | W3012-W3612 | W3015-W3615 | W3018-W3618 |
| | W301227-W361227 | W301527-W361527 | W301827-W361827 |

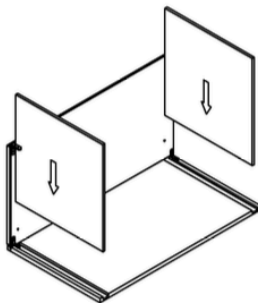
Assembly Instructions / Wall Cabinet (without shelves)

STEP 1

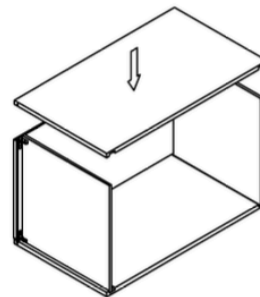
Glue each assembly slot



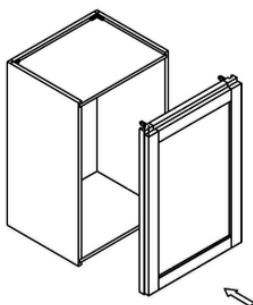
STEP 2



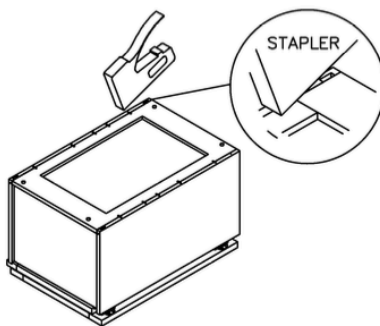
STEP 3



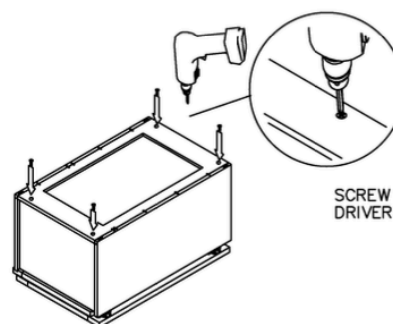
STEP 4



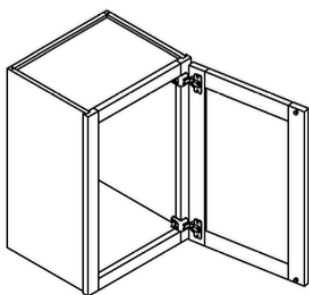
STEP 5



STEP 6

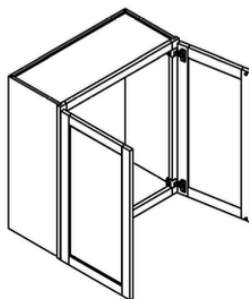


STEP 7

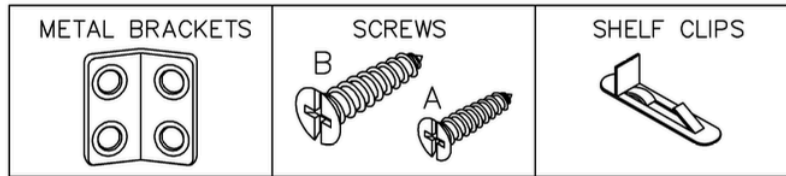
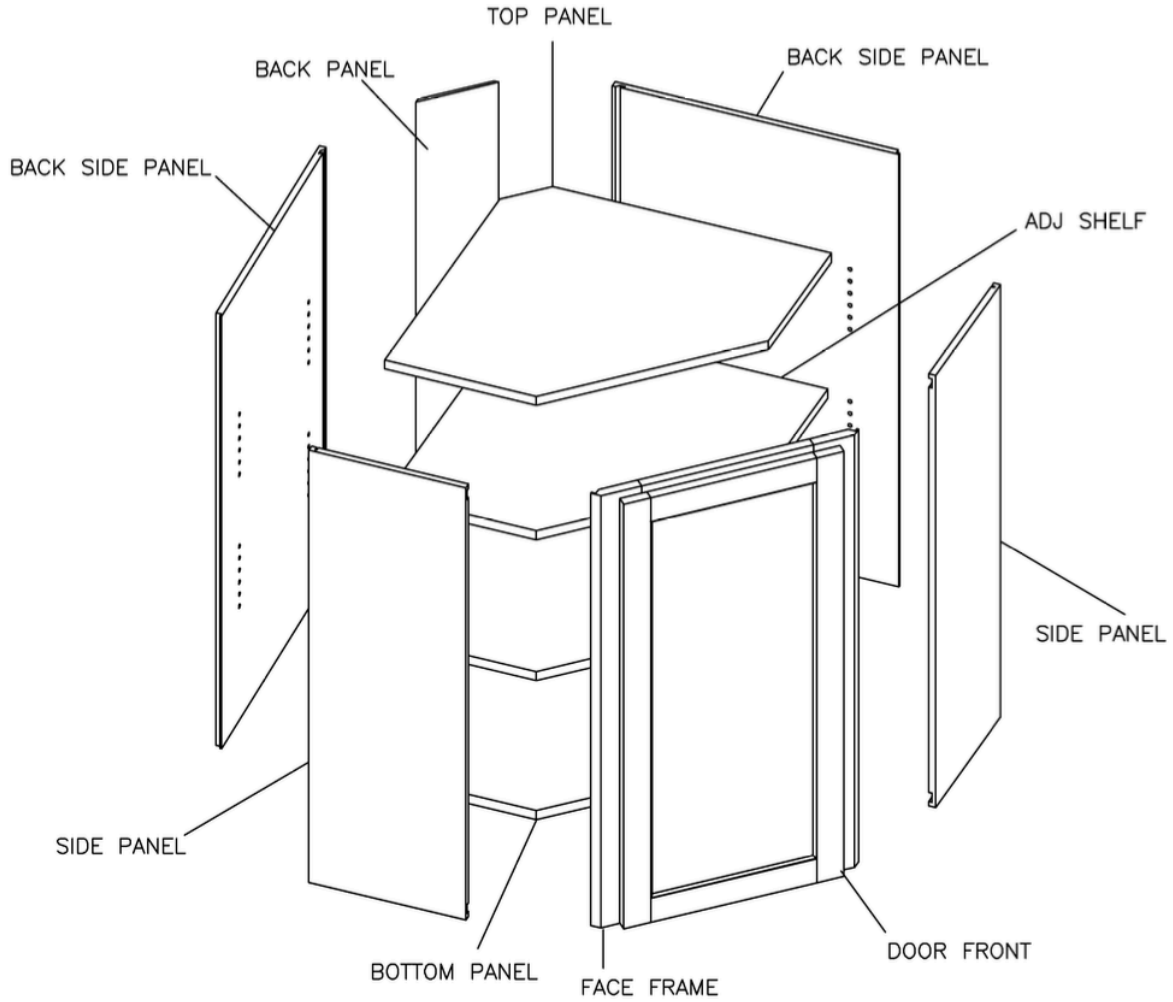


STEP 8

Double door installation method is the same as above

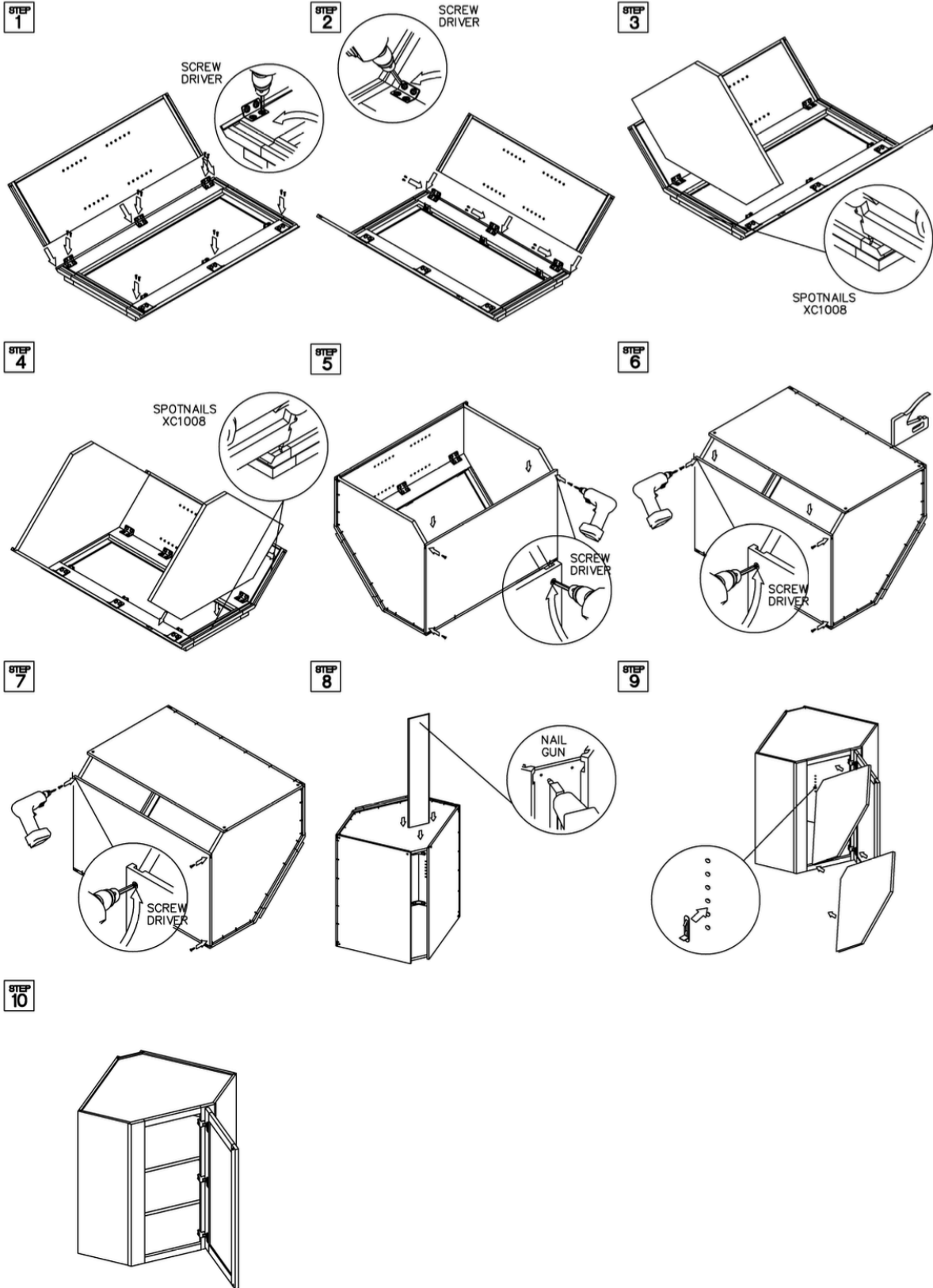


Assembly Instructions / Wall Diagonal Corner Cabinet

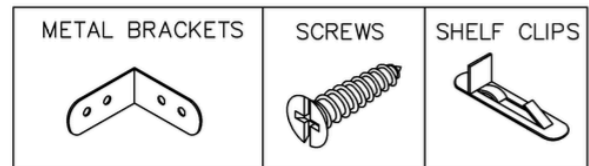
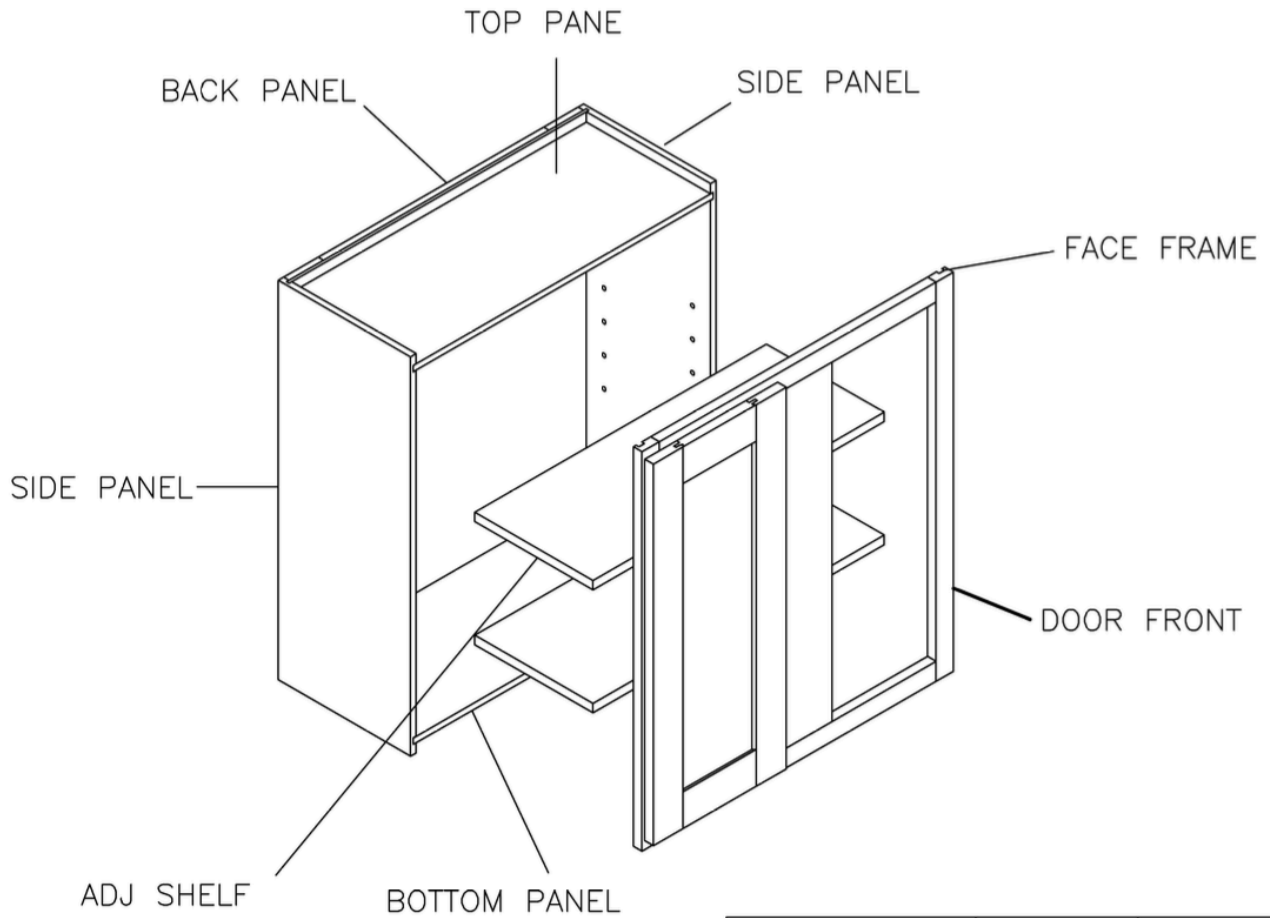


This instruction applies to the following items:
WDC243012, WDC243612, WDC244212

Assembly Instructions / Wall Diagonal Corner Cabinet



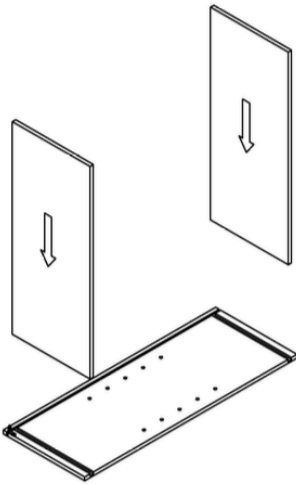
Assembly Instructions / Wall Blind Corner Cabinet



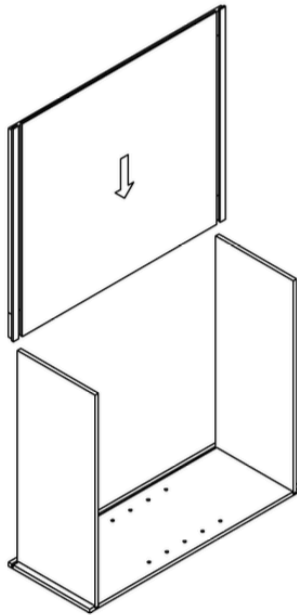
This instruction applies to the following items:
WBC2730-WBC2742

Assembly Instructions / Wall Blind Corner Cabinet

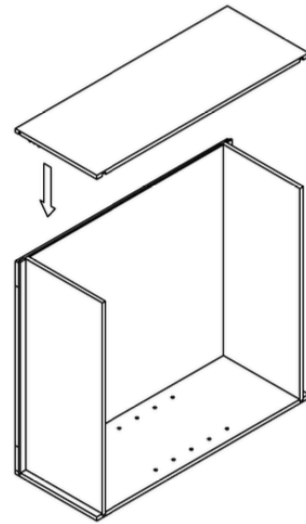
STEP 1



STEP 2



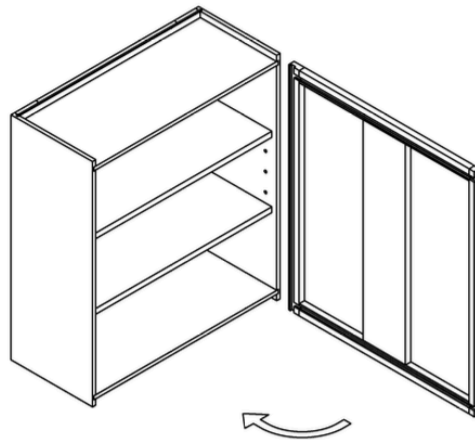
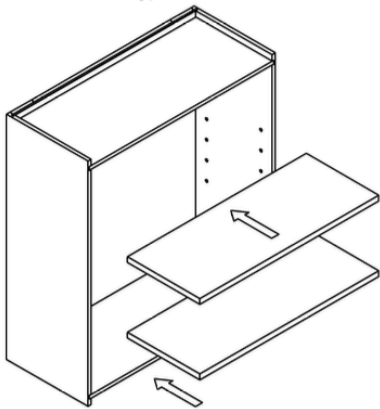
STEP 3



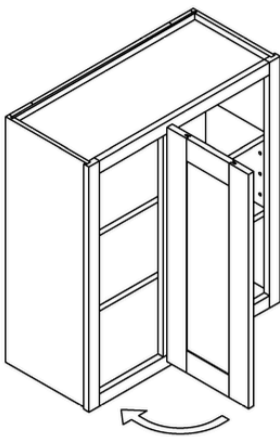
STEP 4

The number of adjustable shelf depends on the actual cabinet type

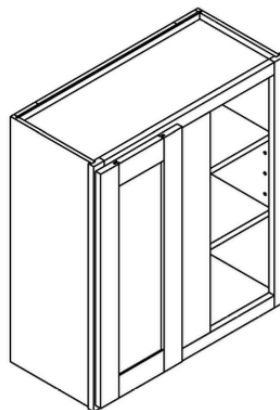
STEP 5



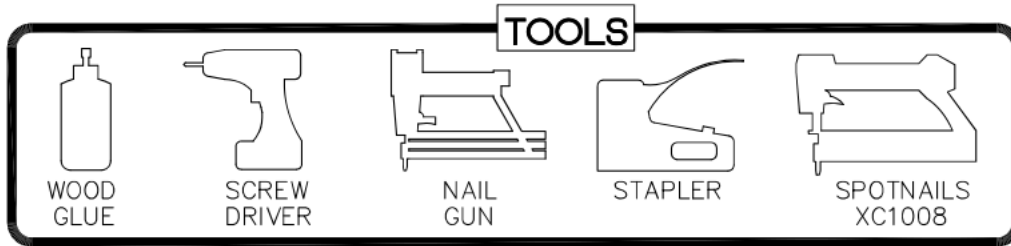
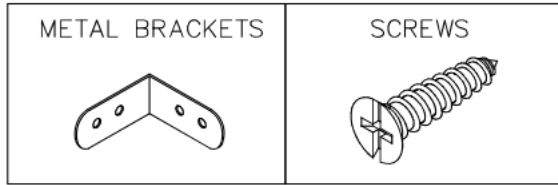
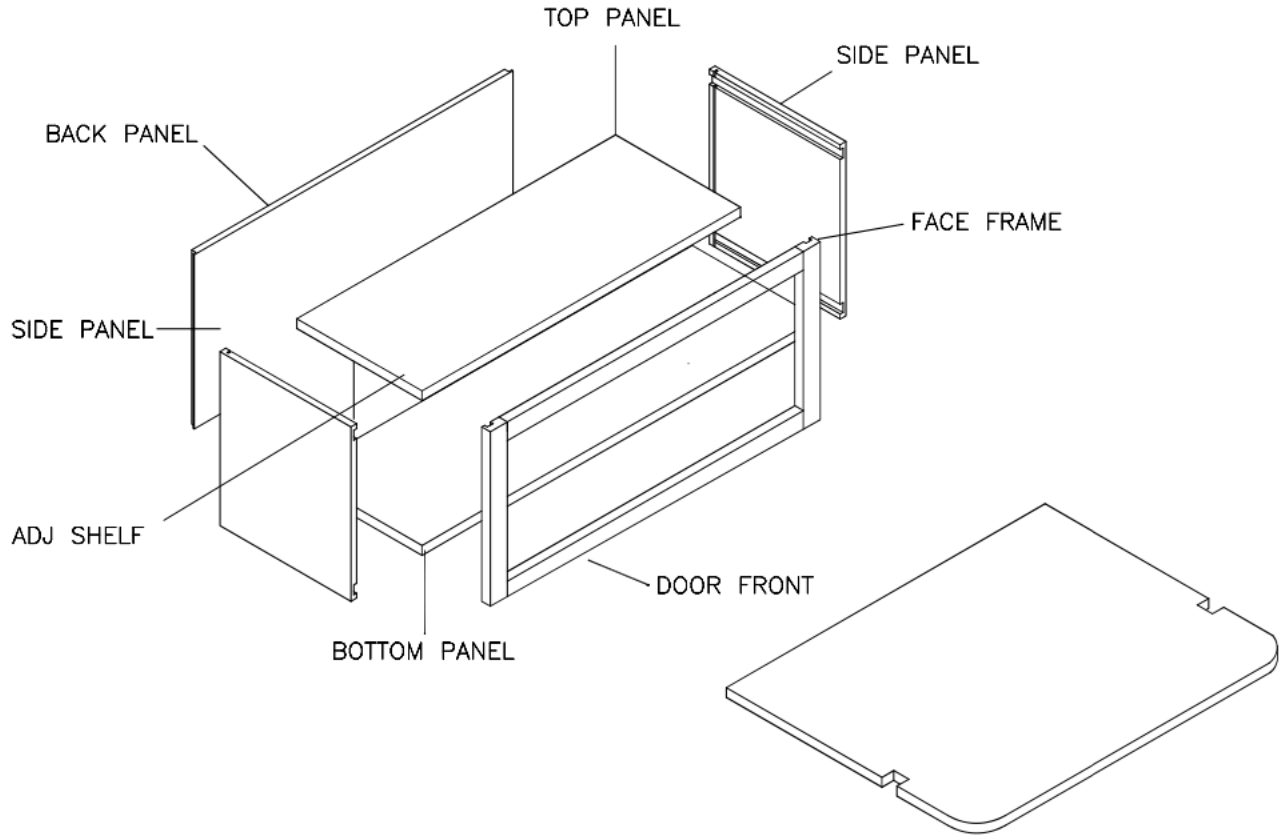
STEP 6



STEP 7



Assembly Instructions / Wall Microwave Cabinet

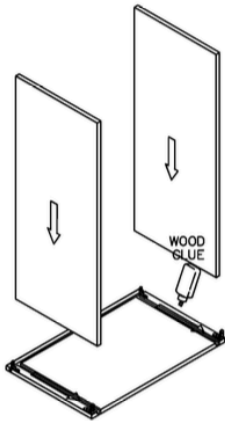


This instruction applies to the following items:
WMC3018

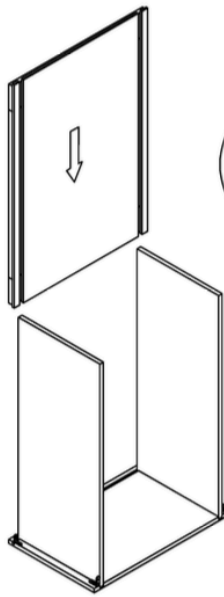
Assembly Instructions / Wall Microwave Cabinet

STEP 1

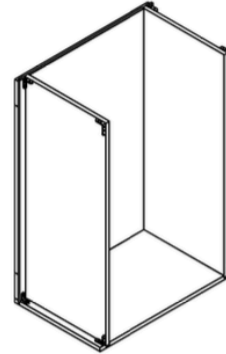
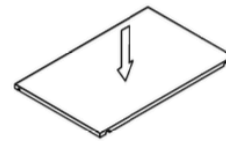
Glue each assembly slot



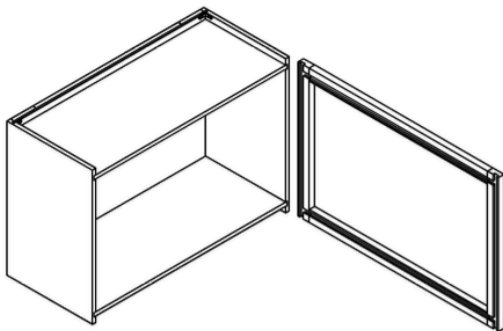
STEP 2



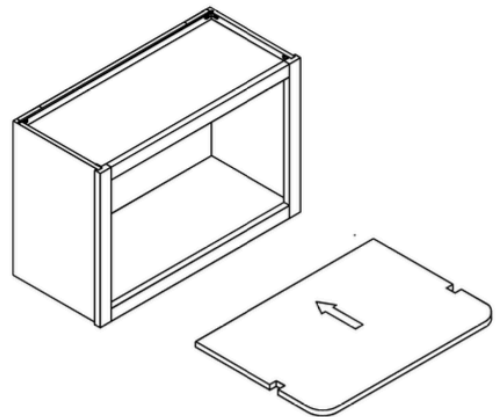
STEP 3



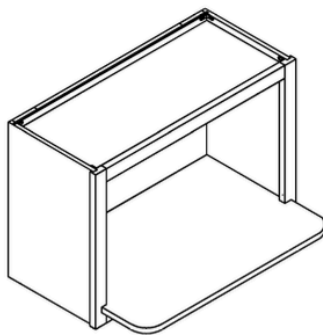
STEP 4



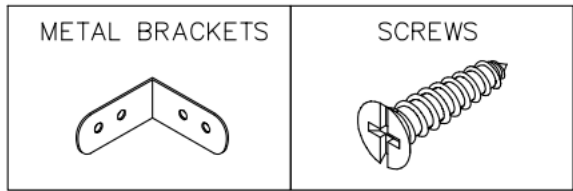
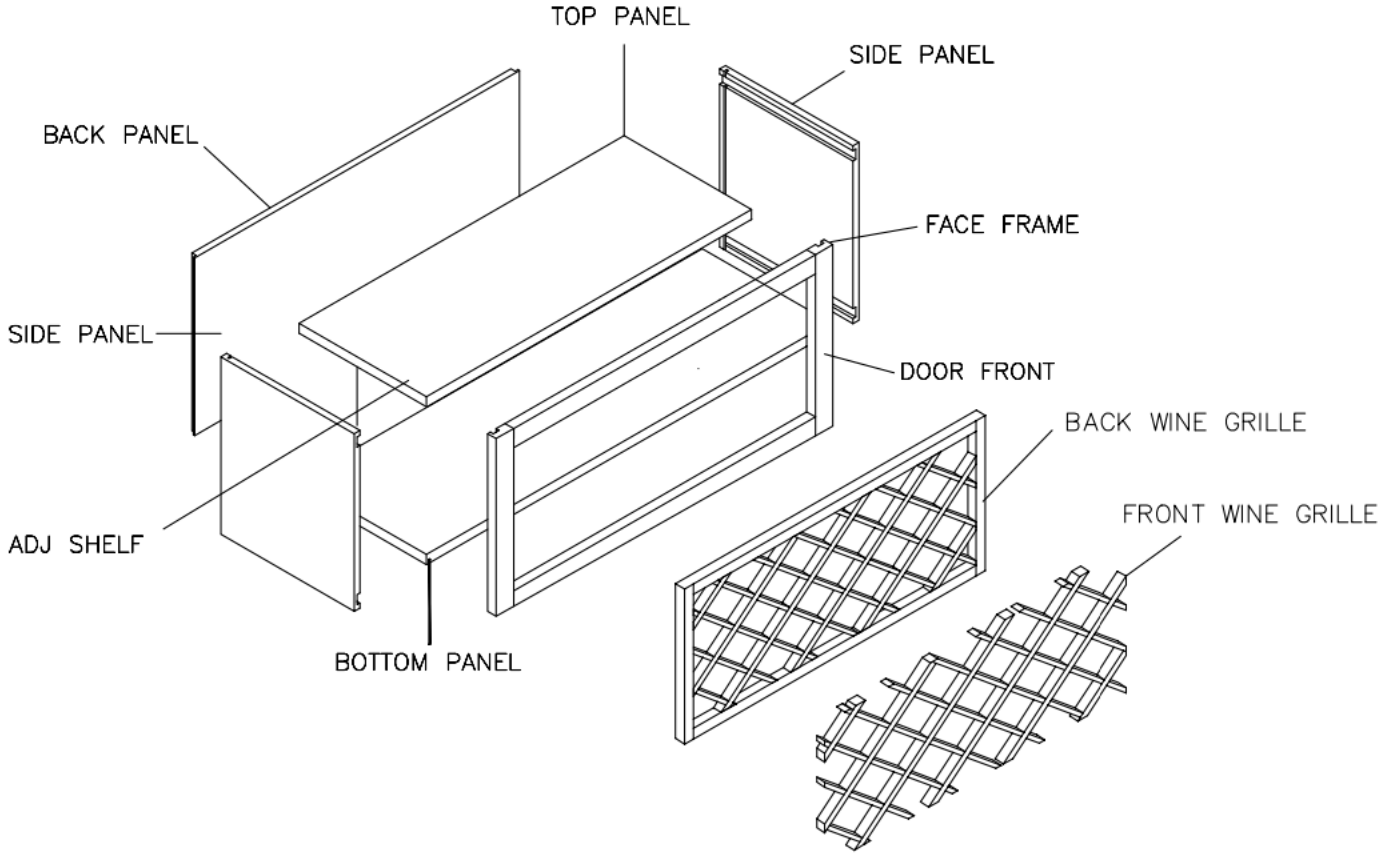
STEP 5



STEP 6



Assembly Instructions / Wall Wine Rack Cabinet

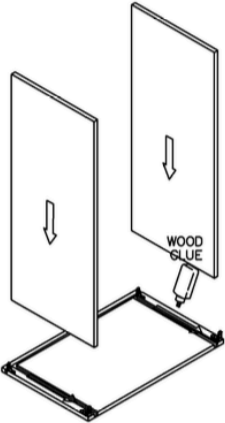


This instruction applies to the following items:
WRC3018

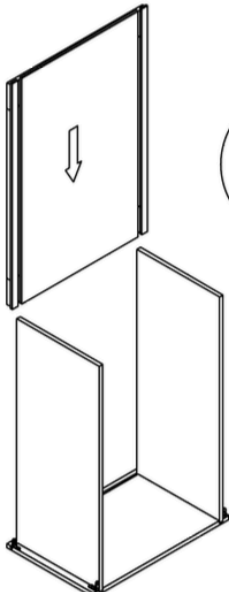
Assembly Instructions / Wall Wine Rack Cabinet

STEP 1

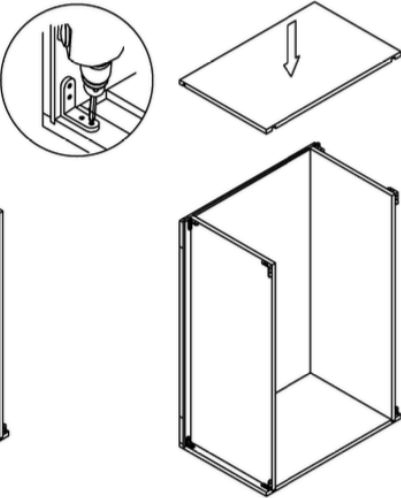
Glue each assembly slot



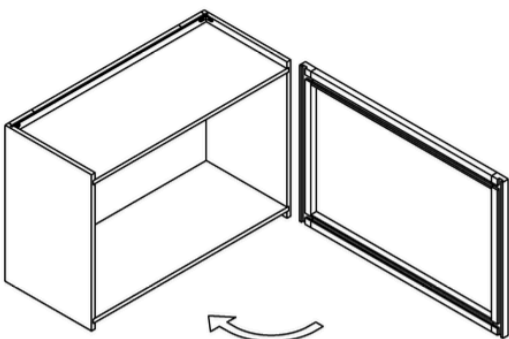
STEP 2



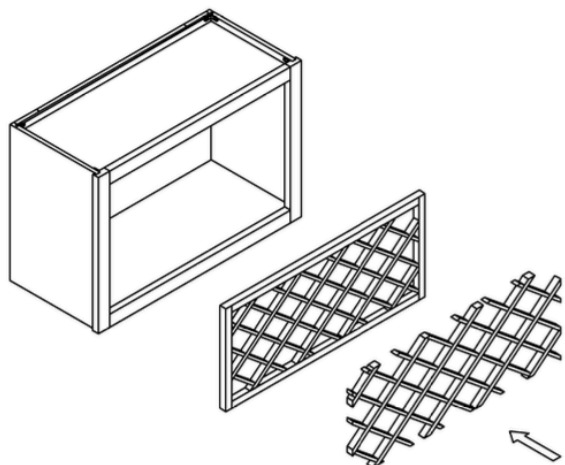
STEP 3



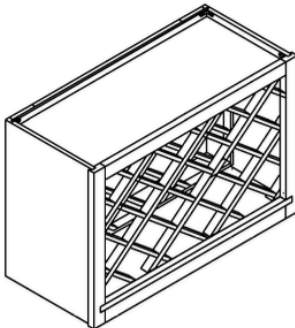
STEP 4



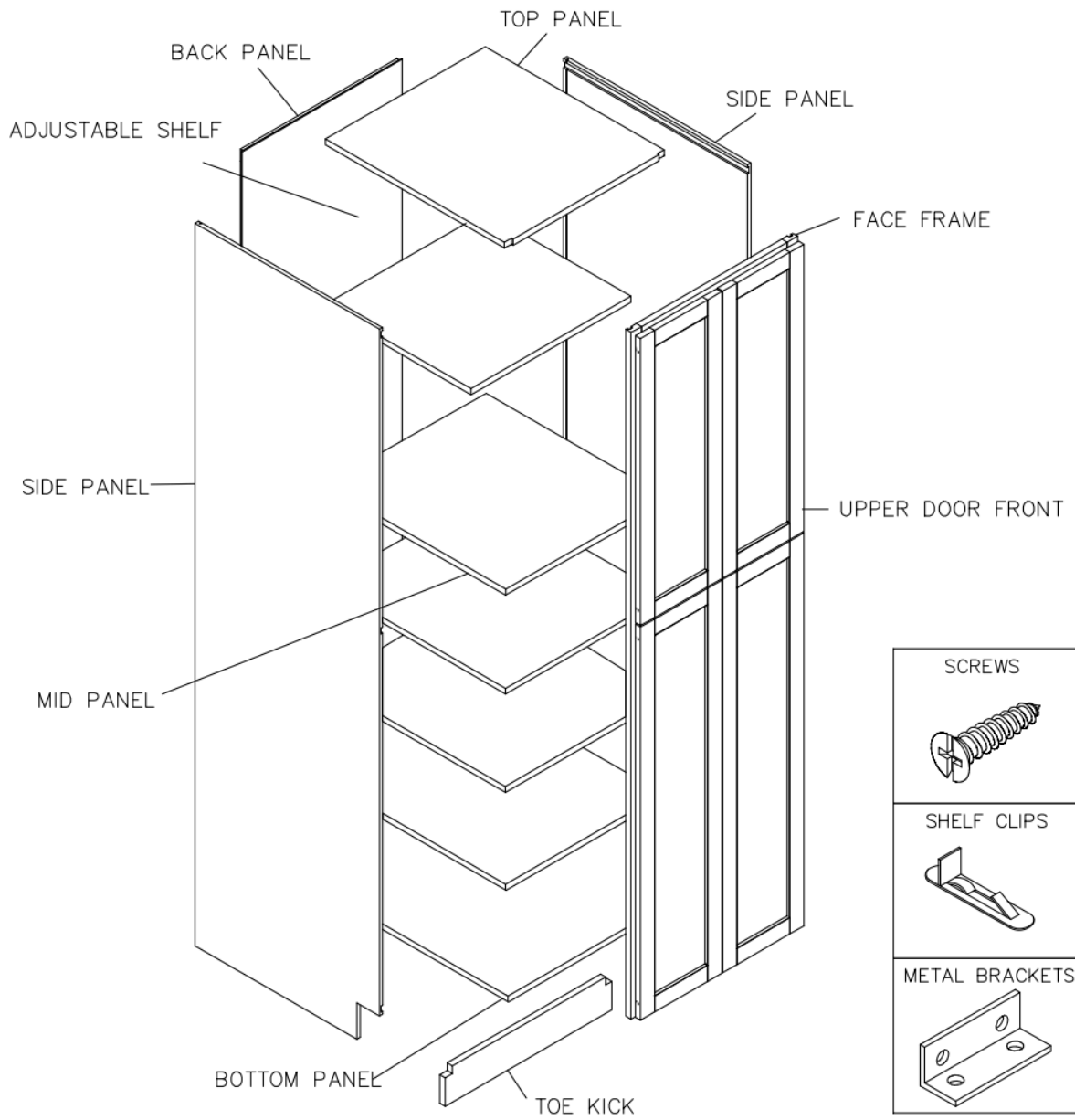
STEP 5



STEP 6



Assembly Instructions / Wall Pantry Cabinet



- SCREWS
- SHELF CLIPS
- METAL BRACKETS

TOOLS

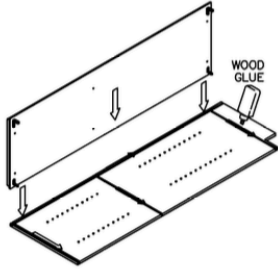
- WOOD GLUE
- SCREW DRIVER
- RUBBER Mallet
- NAIL GUN
- STAPLER

This instruction applies to the following items:
 WP188427, WP248427, WP189027, WP249027, WP189627, WP249627
 WP308427, WP309027, WP309627,

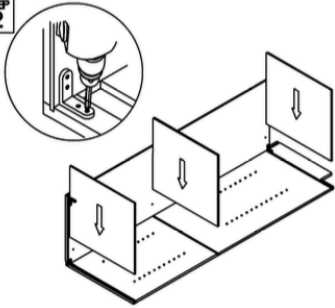
Assembly Instructions / Wall Pantry Cabinet

STEP 1

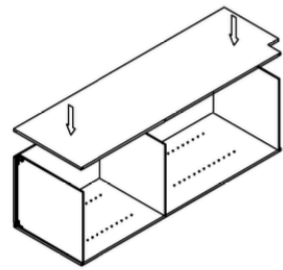
Glue each assembly slot



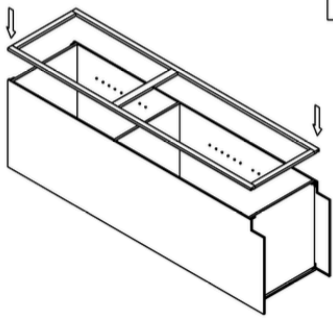
STEP 2



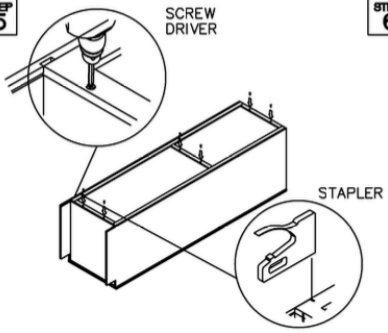
STEP 3



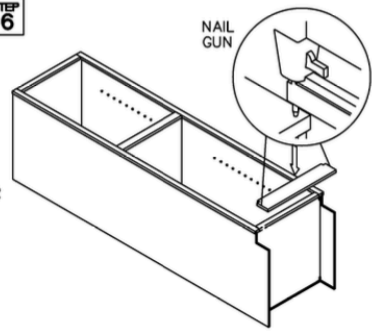
STEP 4



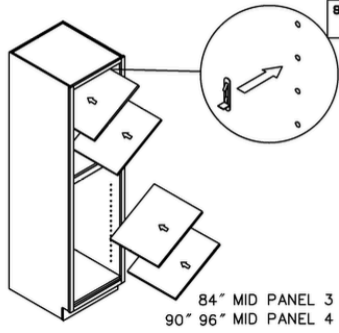
STEP 5



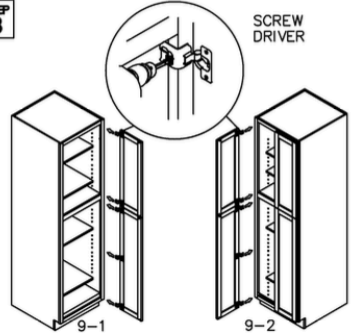
STEP 6



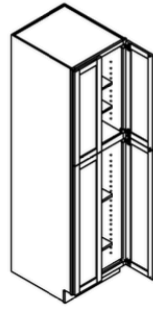
STEP 7



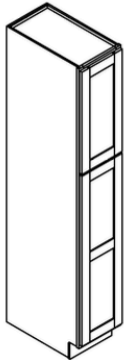
STEP 8



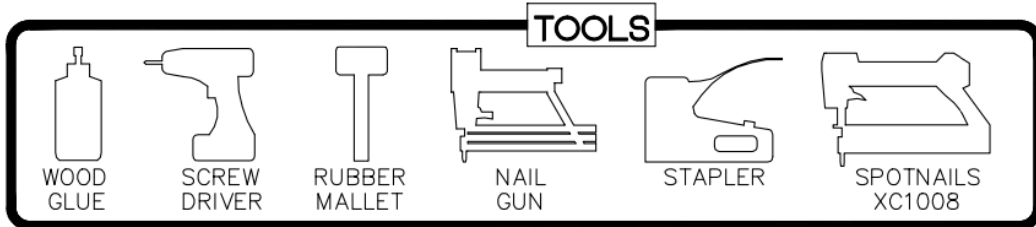
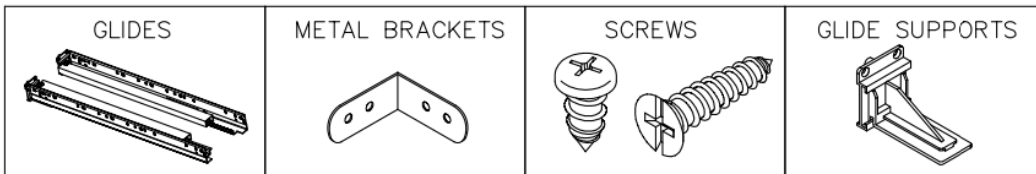
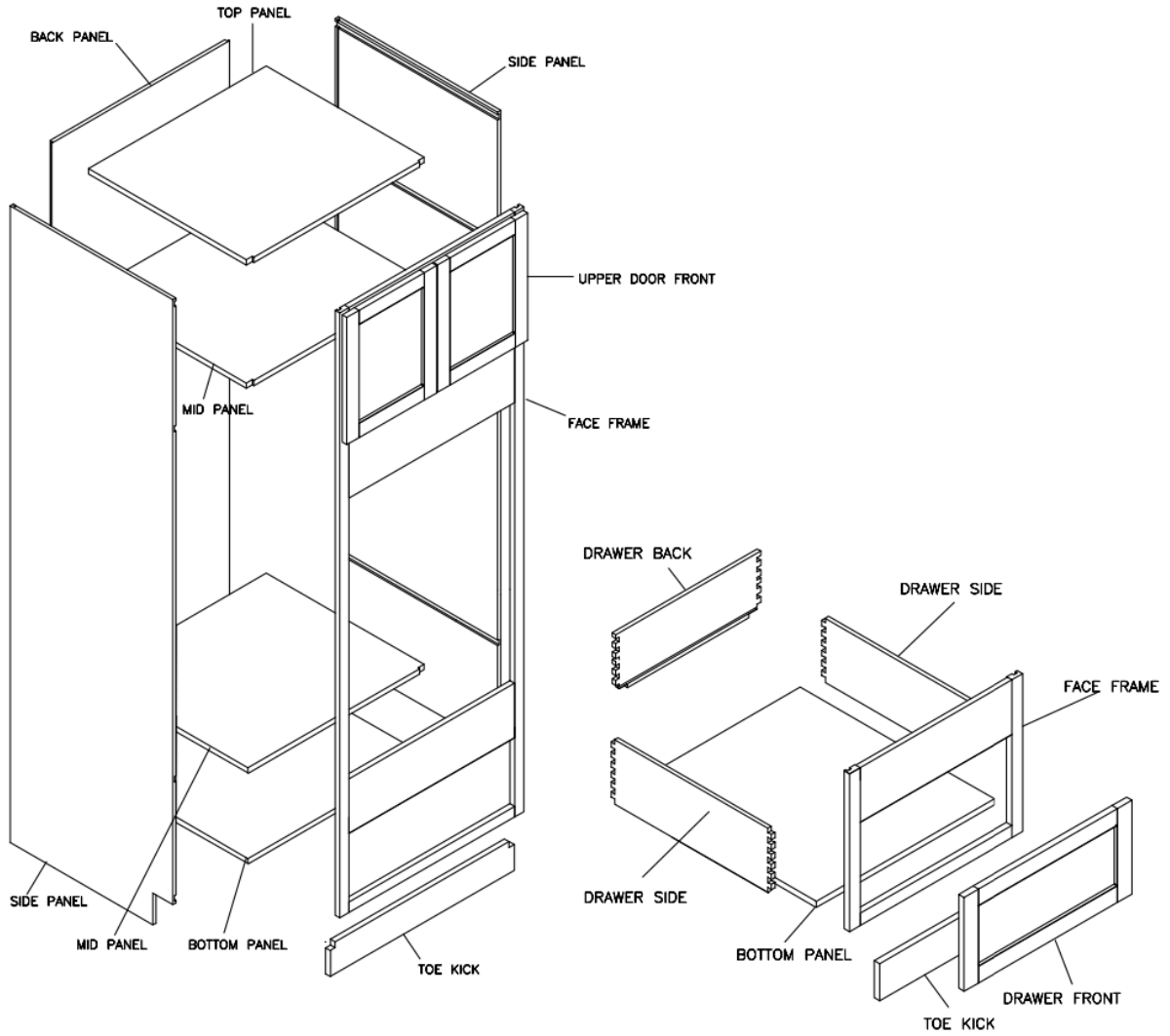
STEP 9



STEP 10

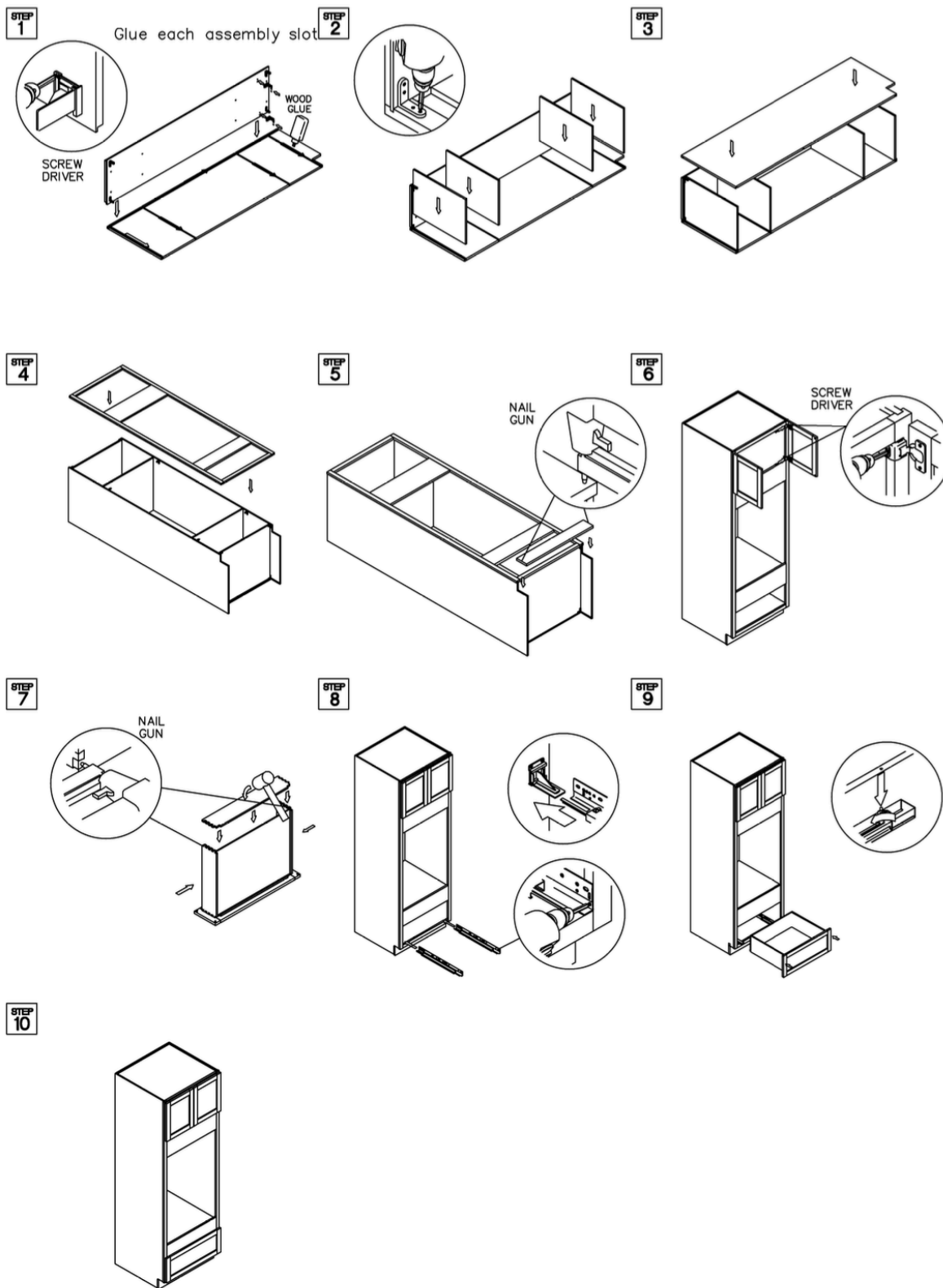


Assembly Instructions / Double Oven Cabinet

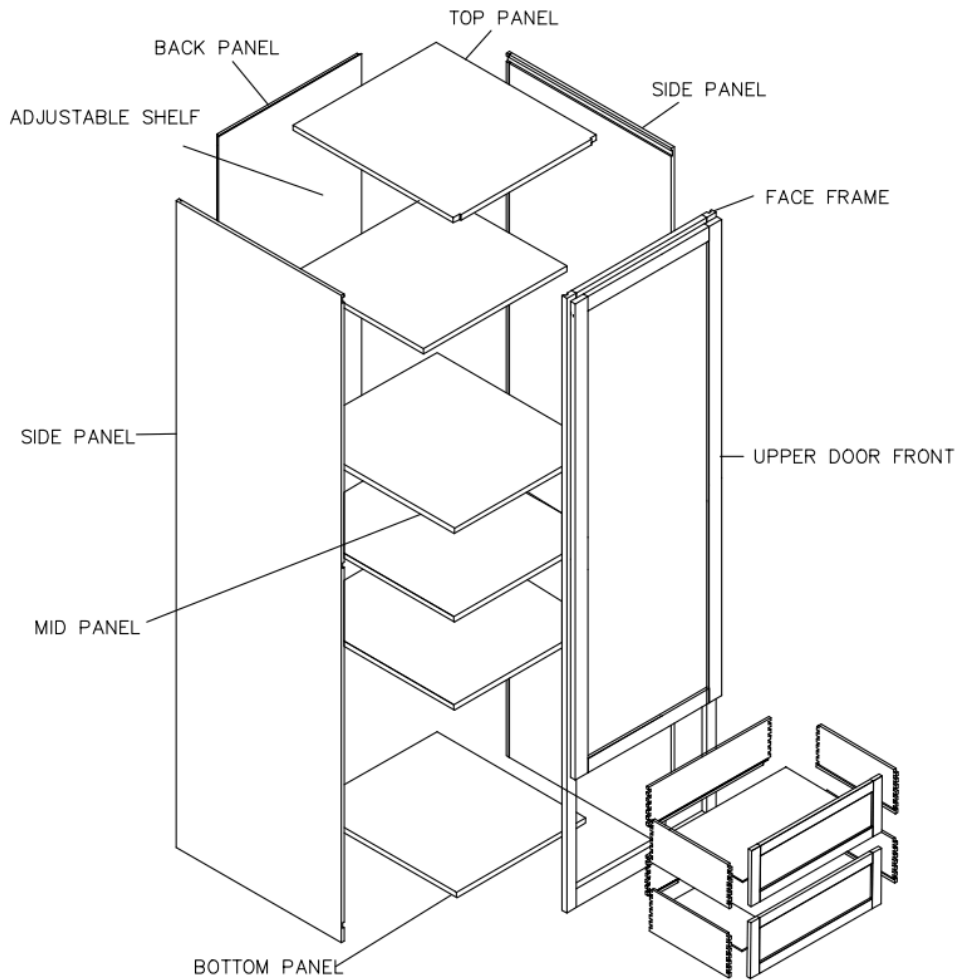


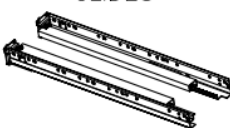
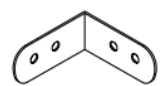
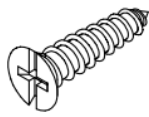

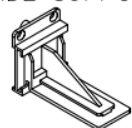
This instruction applies to the following items:
OVD338427, OVD339027, OVD339627

Assembly Instructions / Double Oven Cabinet

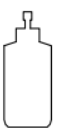



Assembly Instructions / Counter Linen Cabinet





<p>GLIDES</p> 	<p>METAL BRACKETS</p> 	<p>SCREWS</p> 	<p>SHELF CLIPS</p> 	<p>GLIDE SUPPORTS</p> 
---	---	---	--	---

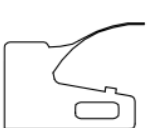
TOOLS


 WOOD GLUE


 SCREW DRIVER


 RUBBER Mallet


 NAIL GUN

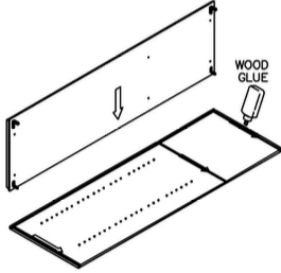

 STAPLER

This instruction applies to the following items:
CL156012

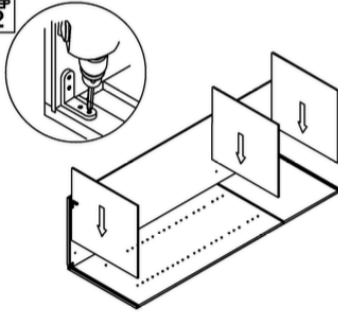
Assembly Instructions / Counter Linen Cabinet

STEP 1

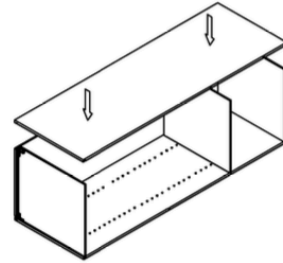
Glue each assembly slot



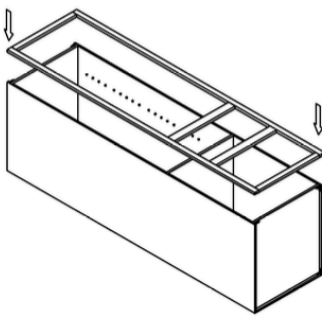
STEP 2



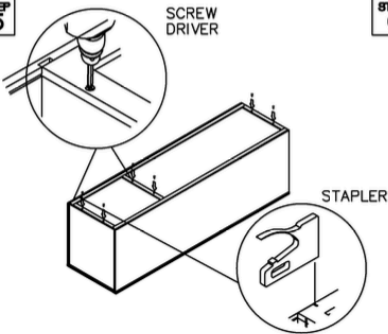
STEP 3



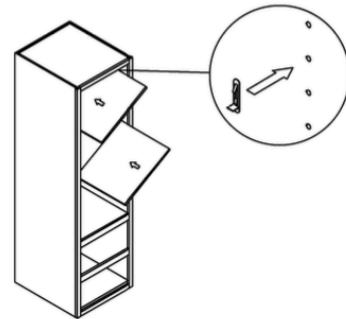
STEP 4



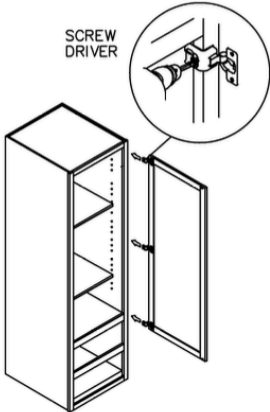
STEP 5



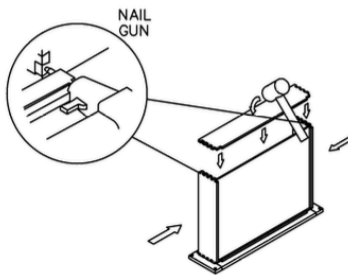
STEP 6



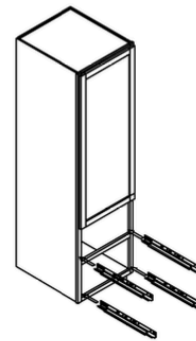
STEP 7



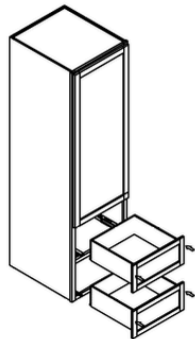
STEP 8



STEP 9



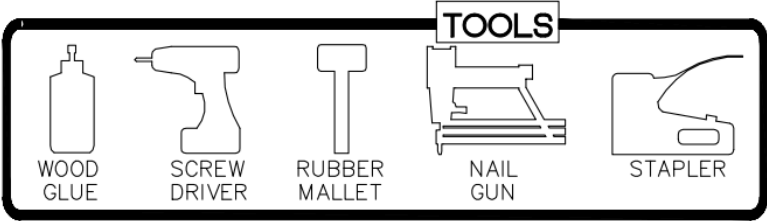
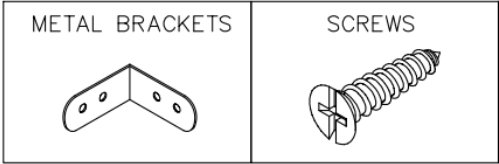
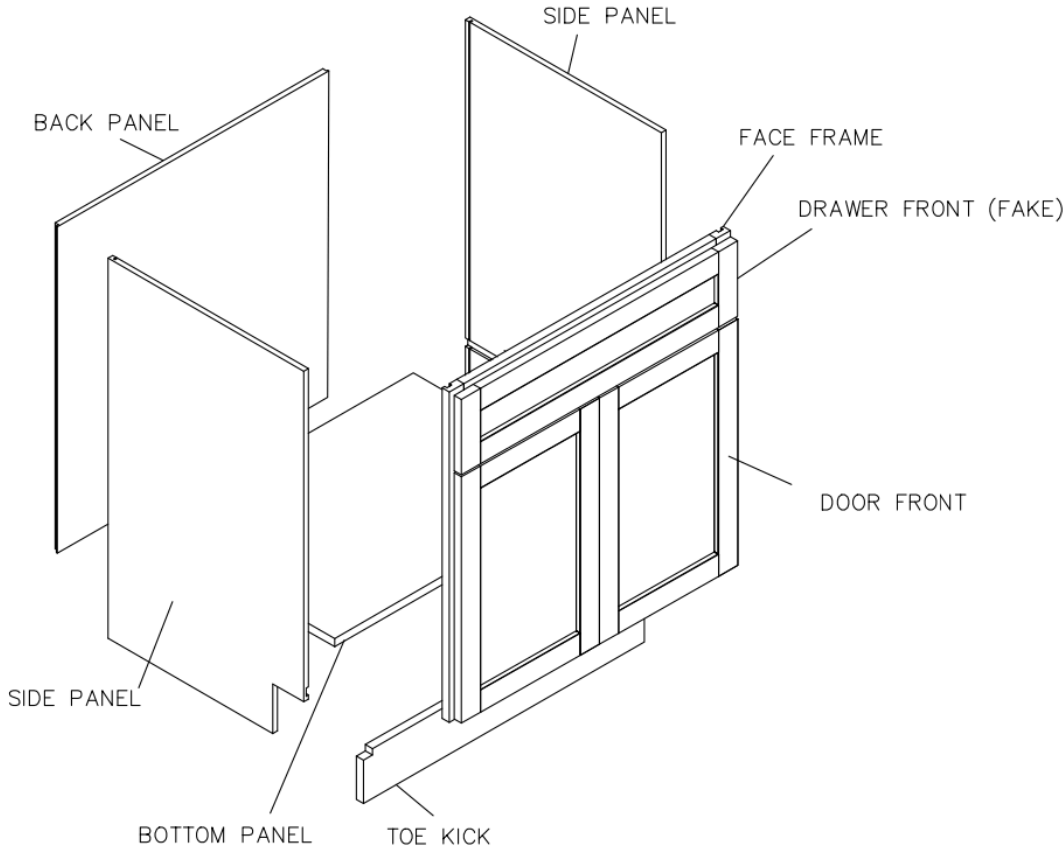
STEP 10



STEP 11



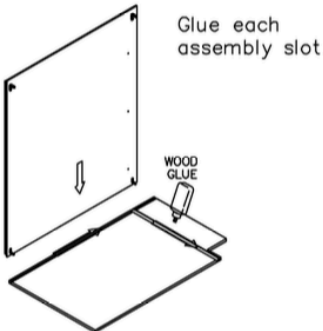
Assembly Instructions / Vanity Cabinet



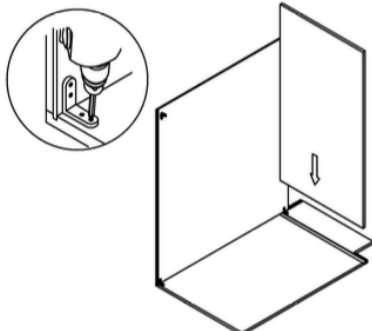
This instruction applies to the following items:
 VAN24-VAN30 (Single false drawer)
 VSB36 (Double false drawers)

Assembly Instructions / Vanity Cabinet

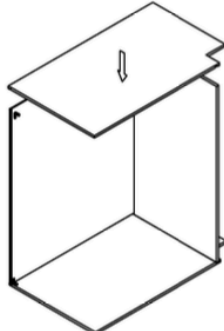
STEP 1



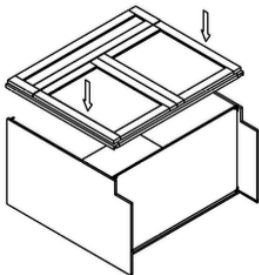
STEP 2



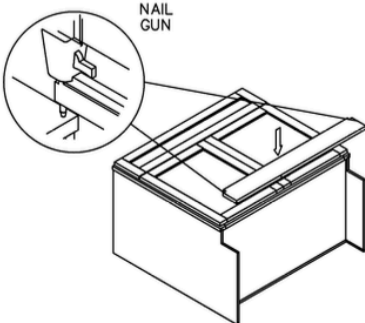
STEP 3



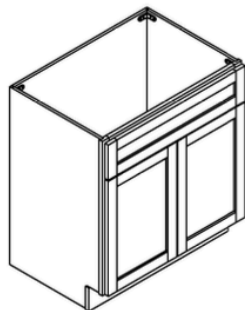
STEP 4



STEP 5

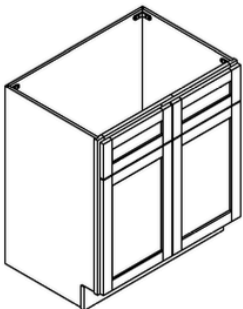


STEP 6



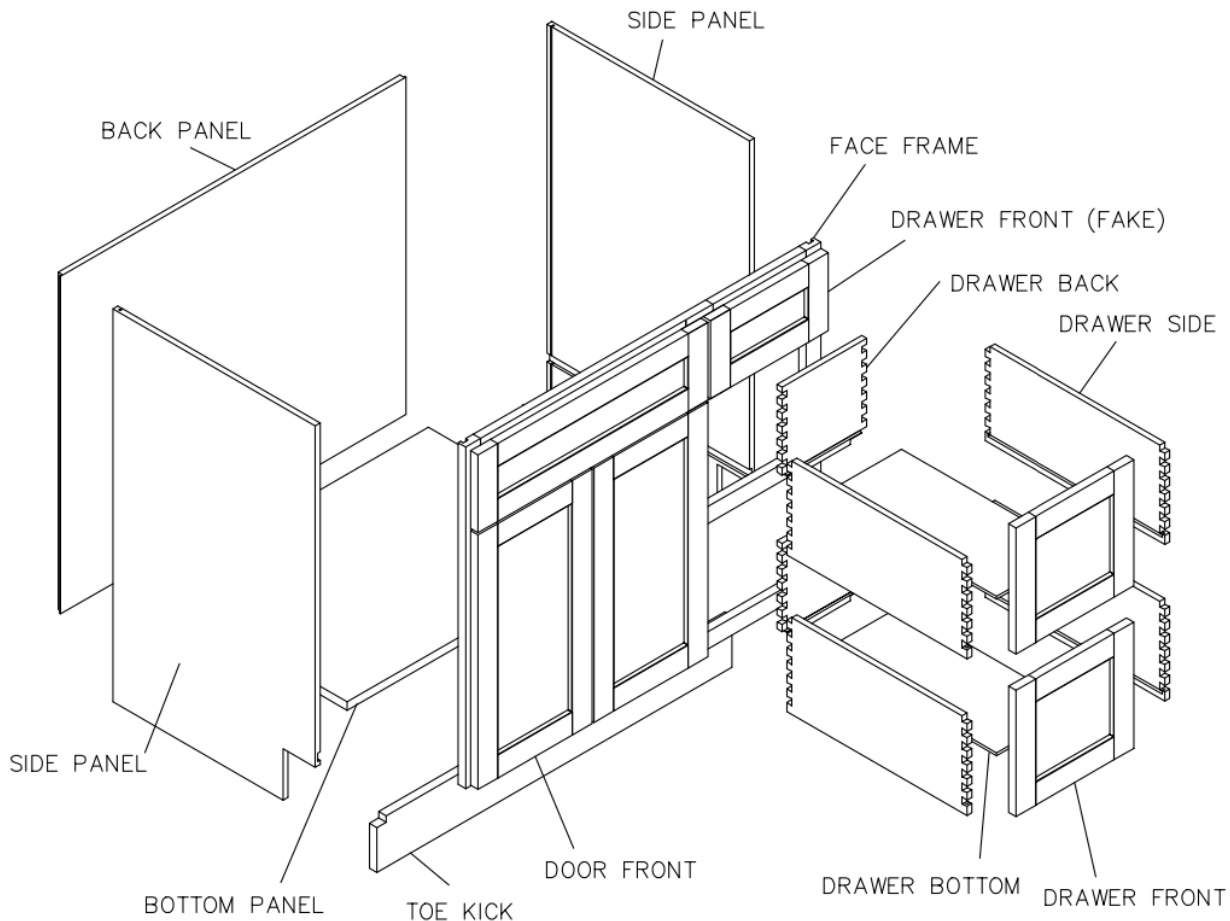
(Single false drawer)

STEP 7



(Double false drawers)

Assembly Instructions / Vanity Cabinet (2 Drawers)



<p>GLIDES</p>	<p>METAL BRACKETS</p>	<p>SCREWS</p>	<p>GLIDE SUPPORTS</p>
---------------	-----------------------	---------------	-----------------------

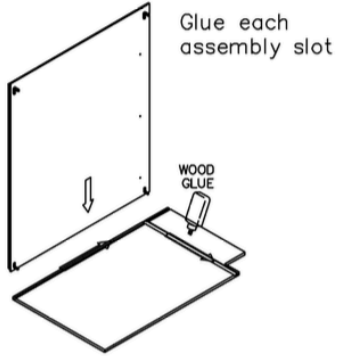
TOOLS

 WOOD GLUE	 SCREW DRIVER	 RUBBER Mallet	 NAIL GUN	 STAPLER
---------------	------------------	-------------------	--------------	-------------

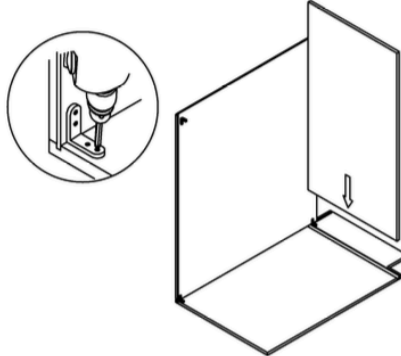
This instruction applies to the following items:
VAN36DL, VAN36DR ,VAN42DL, VAN42DR

Assembly Instructions / Vanity Cabinet (2 Drawers)

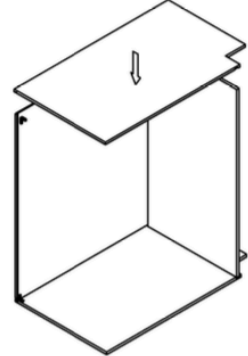
STEP 1



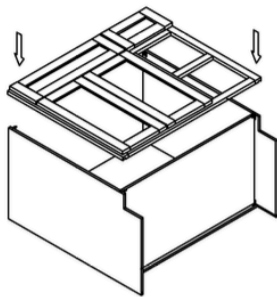
STEP 2



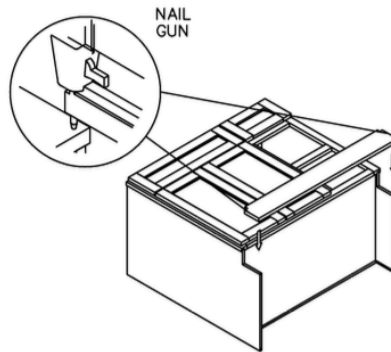
STEP 3



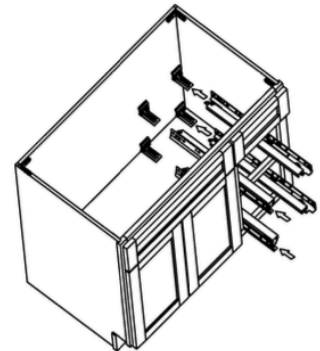
STEP 4



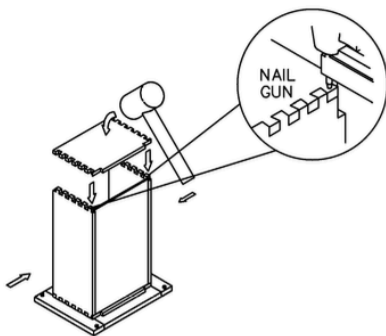
STEP 5



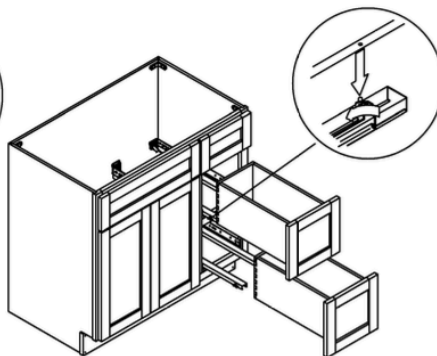
STEP 6



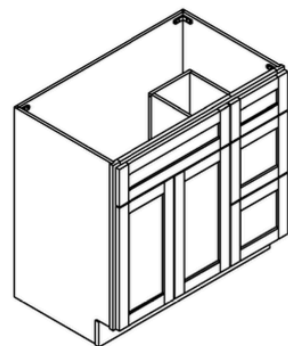
STEP 7



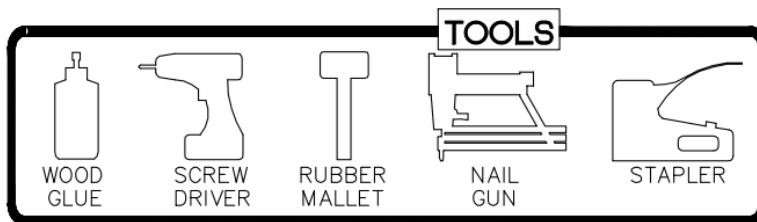
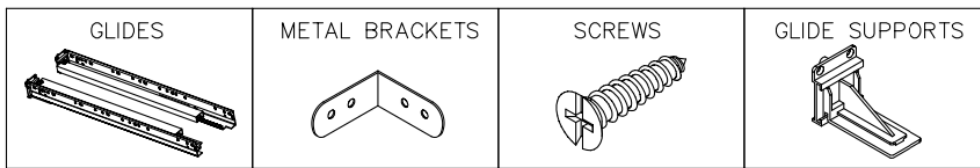
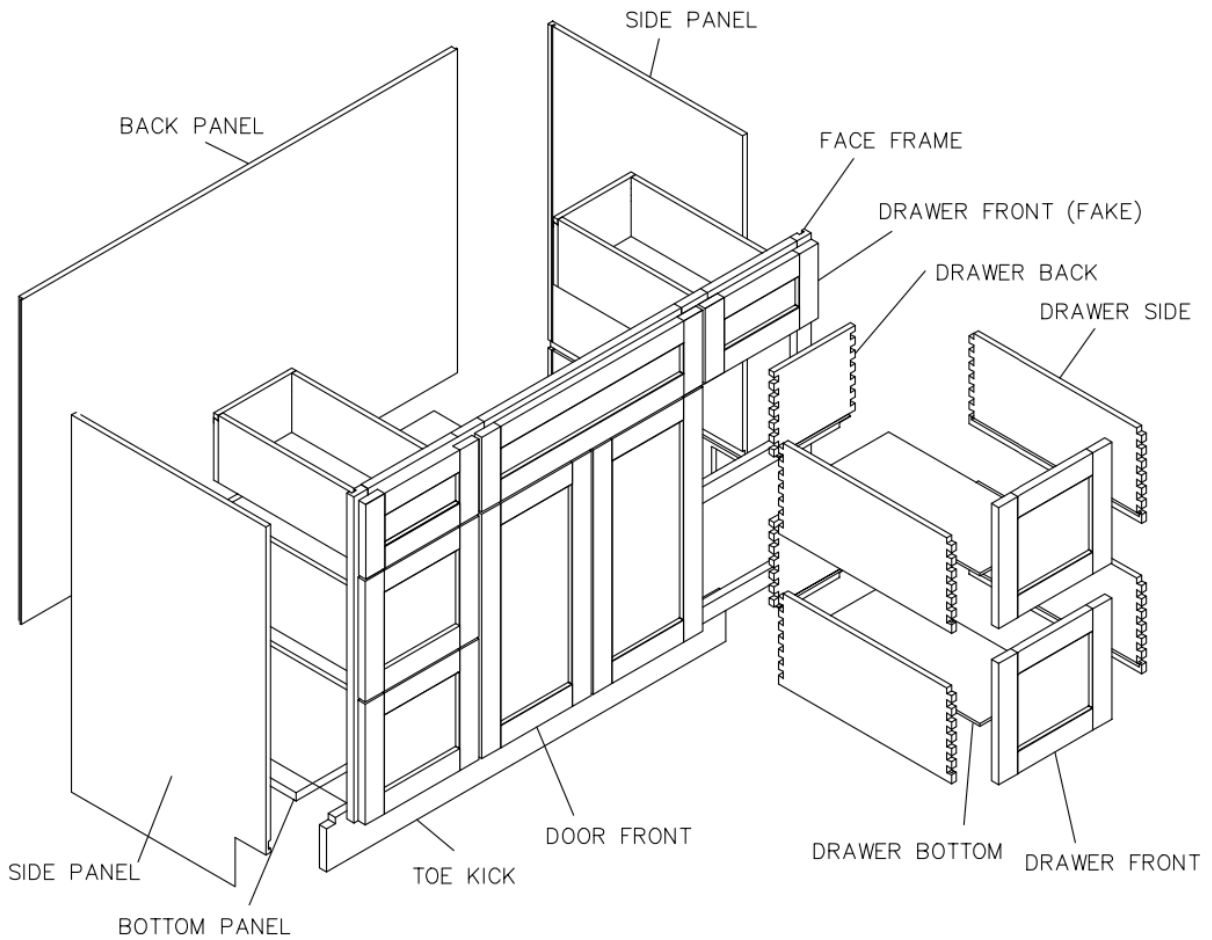
STEP 8



STEP 9



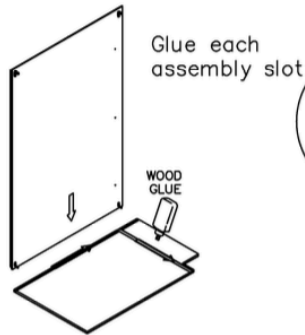
Assembly Instructions / Vanity Cabinet (6 Drawers)



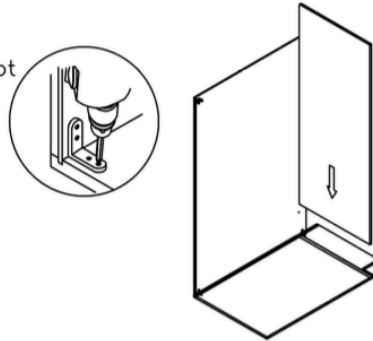
This instruction applies to the following items:
VAN48D-6, VAN60D-6

Assembly Instructions / Vanity Cabinet (6 Drawers)

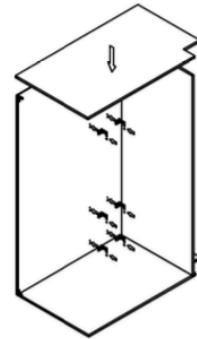
STEP 1



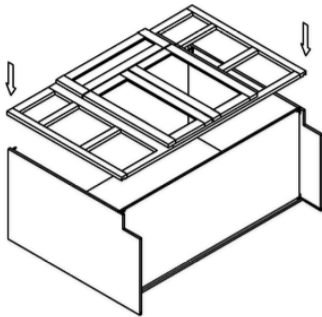
STEP 2



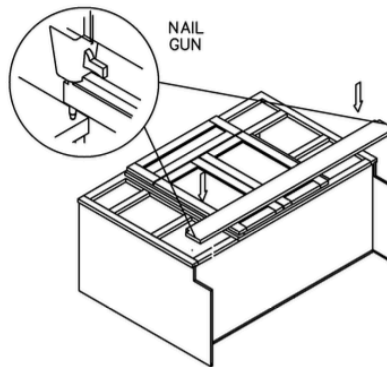
STEP 3



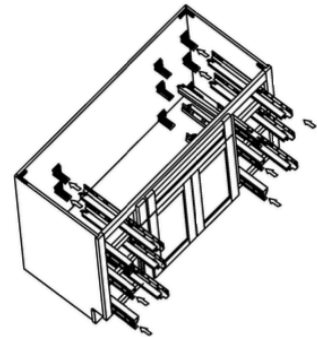
STEP 4



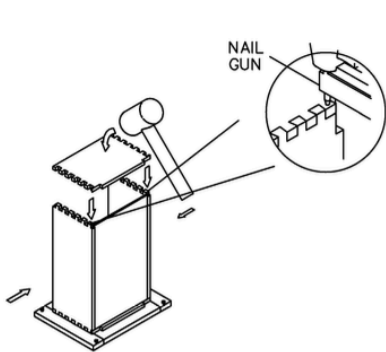
STEP 5



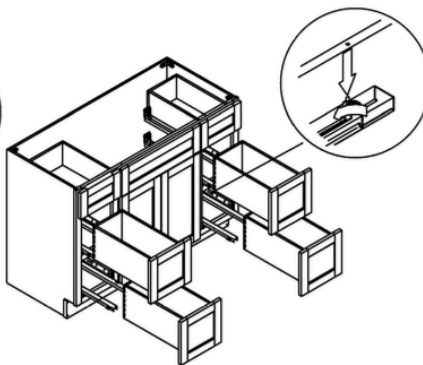
STEP 6



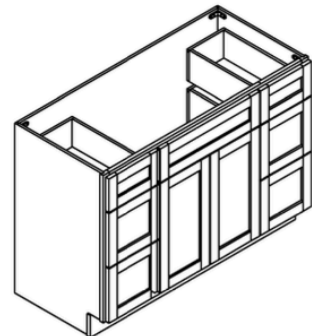
STEP 7



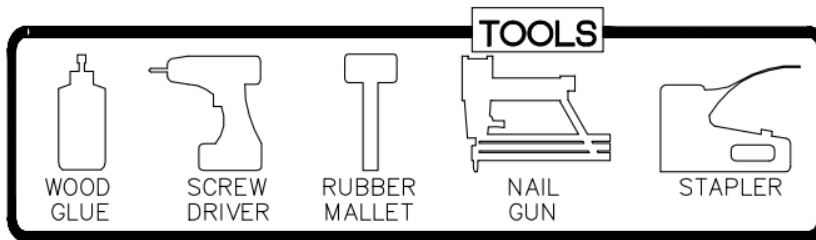
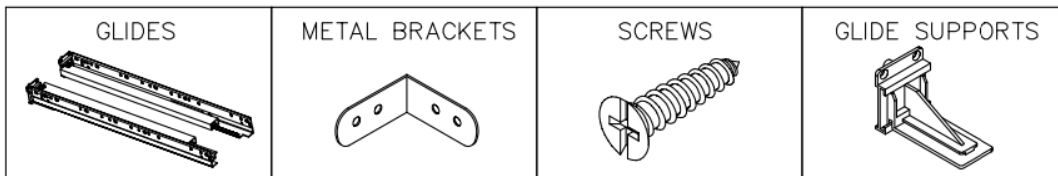
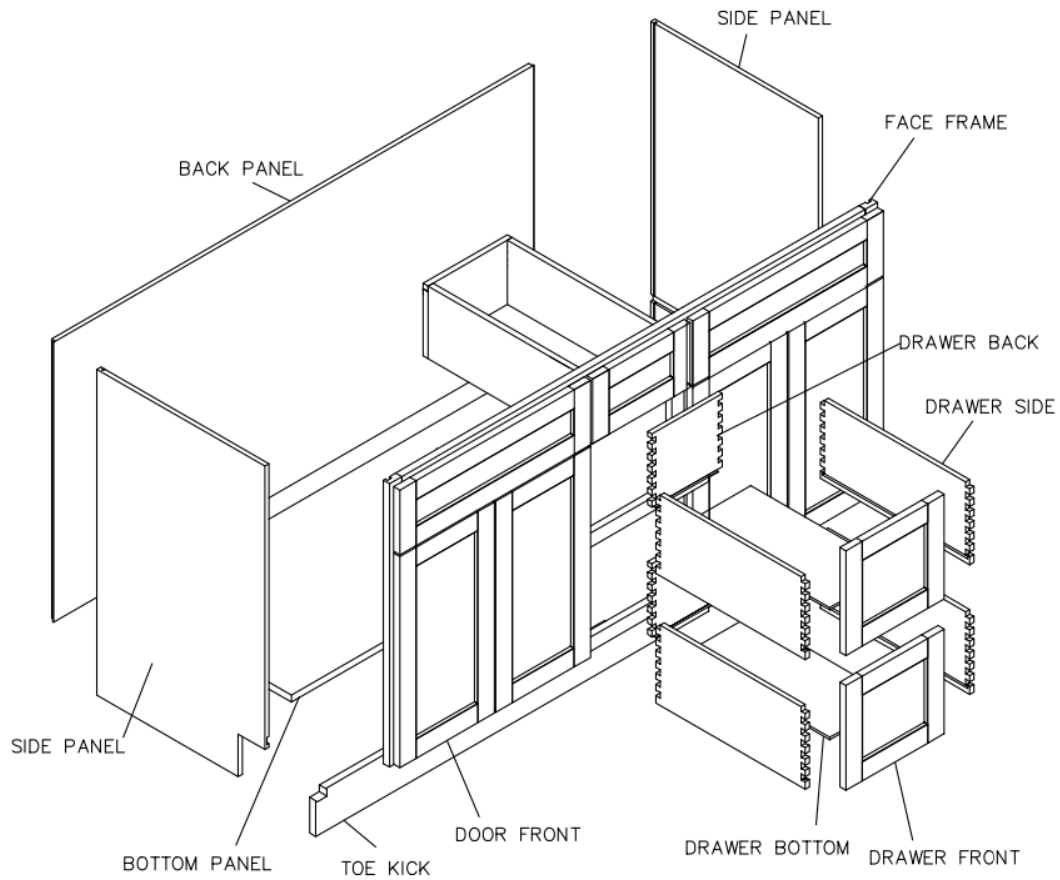
STEP 8



STEP 9



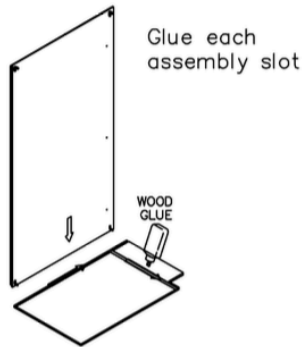
Assembly Instructions / Vanity Cabinet (3 Drawers)



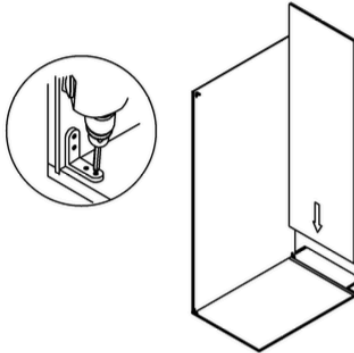
This instruction applies to the following items:
VAN60DD-3

Assembly Instructions / Vanity Cabinet (3 Drawers)

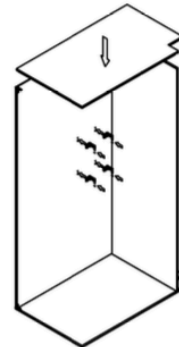
STEP 1



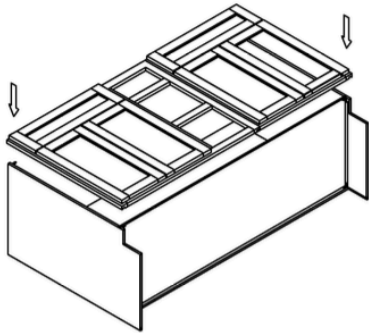
STEP 2



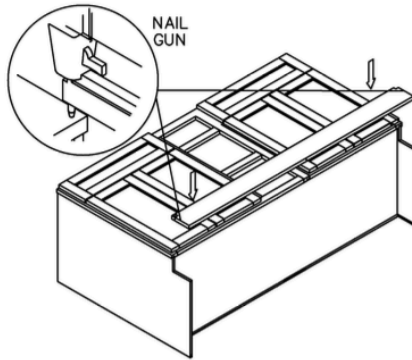
STEP 3



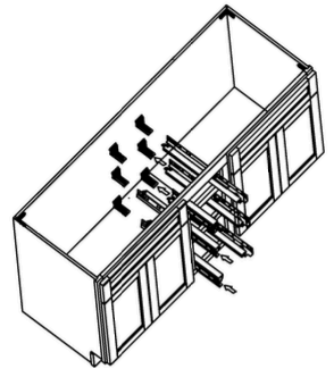
STEP 4



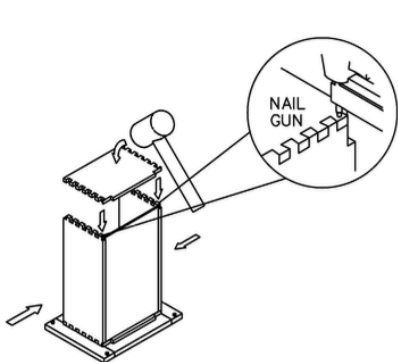
STEP 5



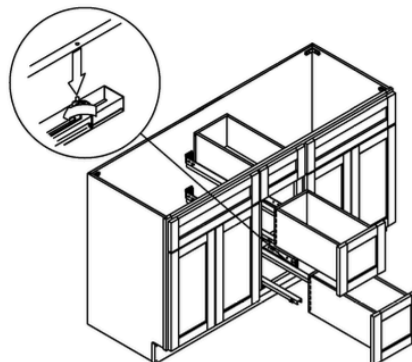
STEP 6



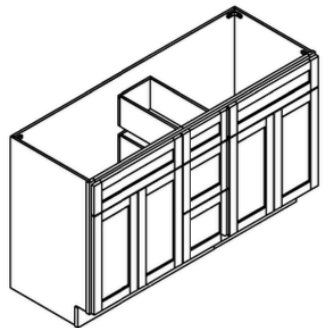
STEP 7



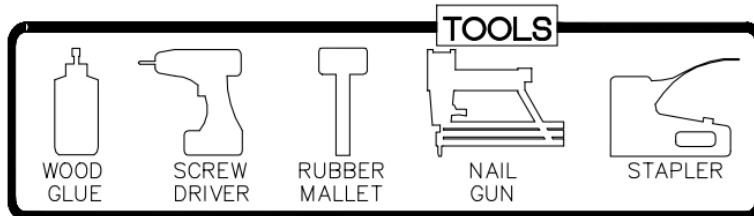
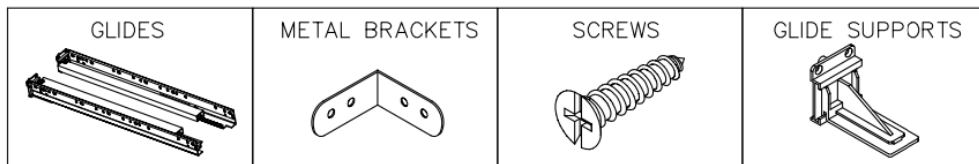
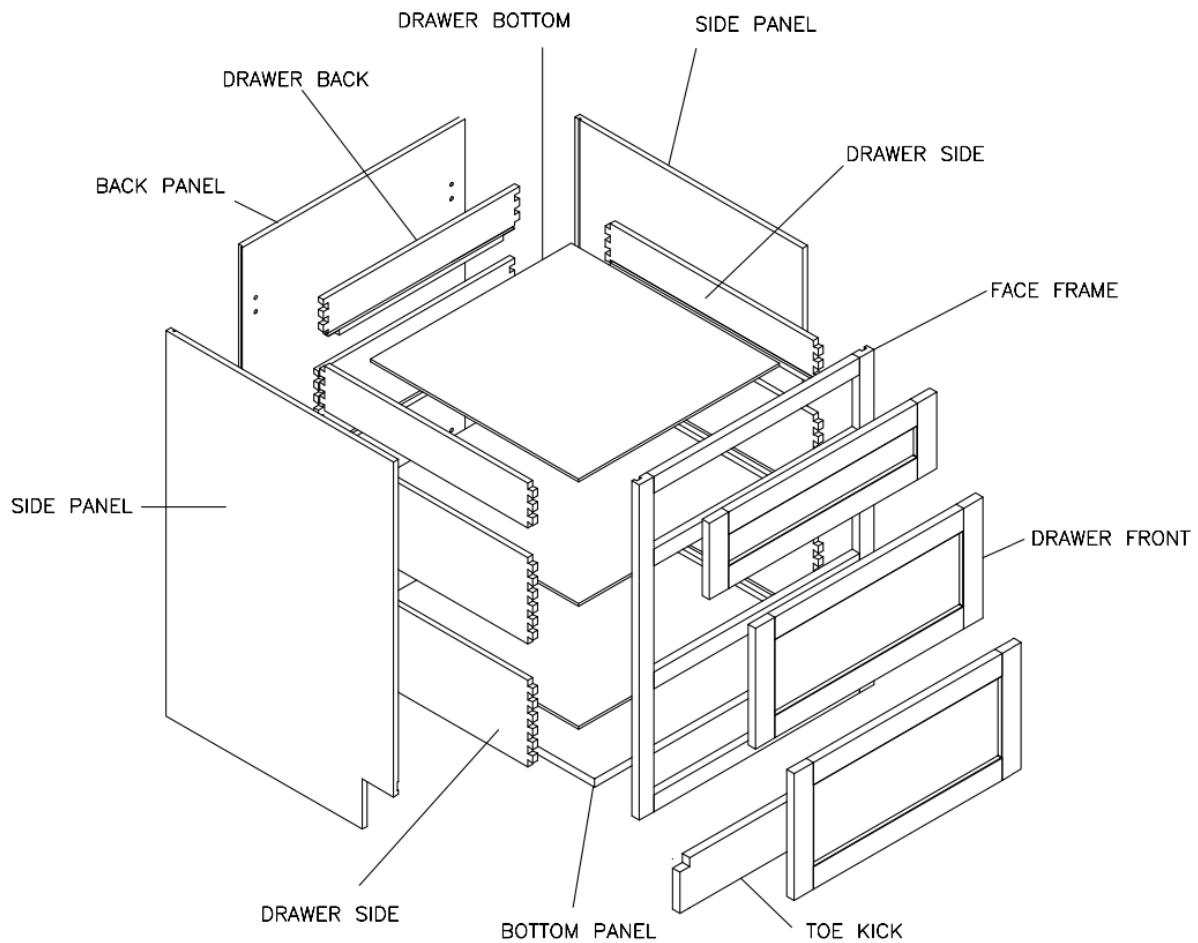
STEP 8



STEP 9



Assembly Instructions / Vanity Drawer Base Cabinet (3 Drawers)



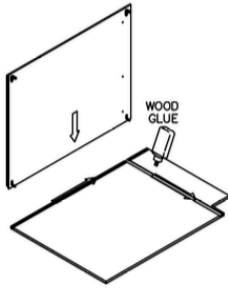
This instruction applies to the following items:

VDB12, VDB15, VDB18, VDB24

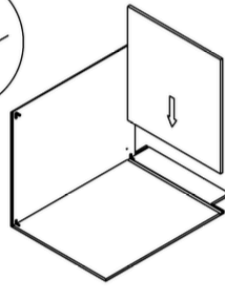
Assembly Instructions / Vanity Drawer Base Cabinet (3 Drawers)

STEP 1

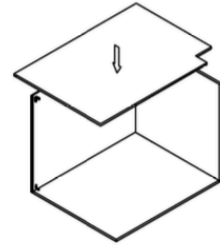
Glue each assembly slot



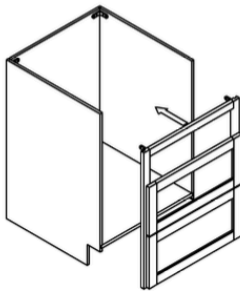
STEP 2



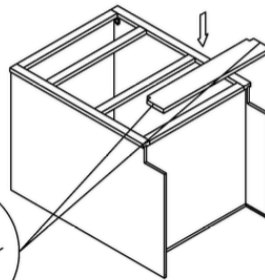
STEP 3



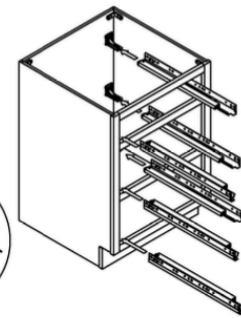
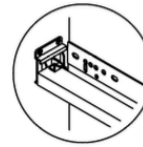
STEP 4



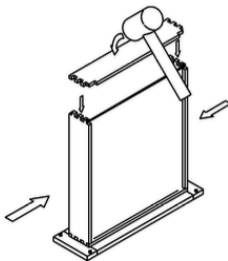
STEP 5



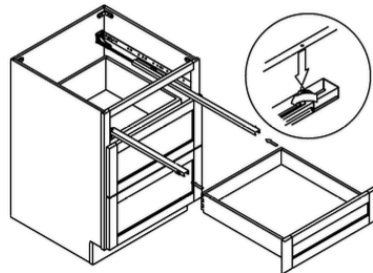
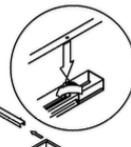
STEP 6



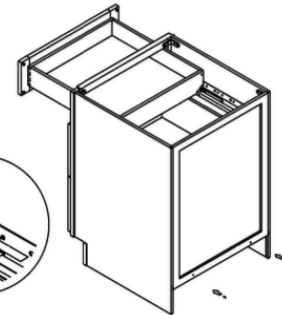
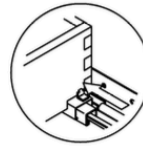
STEP 7



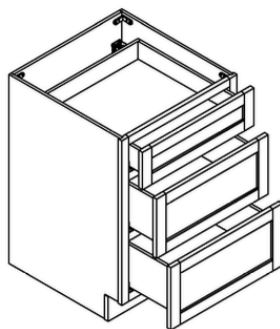
STEP 8



STEP 9



STEP 10





info@eckertcabinetry.com

(469) 935-6864 MAIN USA OFFICE NUMBER

(469) 942-8323 Direct Number for Allen

(469)942-8541 Direct Number Ricardo

(647) 260-9837 MAIN OFFICE CANADA

(469) 942-9436 MAIN FAX No.